



Features

- External parts:Coil, capacitor
- Output voltage: Settable to between 2.1V to 5.5V in 0.1V steps
- Maximum Oscillation frequency :300KHz
- Accuracy of $\pm 2\%$
- High efficiency :95%
- Package: SOT23,SOT23-3,SOT23-5,SOT89 and TO92

TX9116

Applications

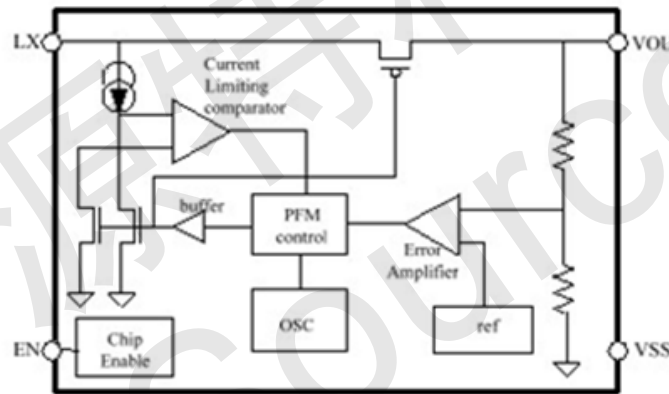
- Digital cameras
- Electronic notebooks and PDAS
- Portable CD/MD players
- Cameras , video equipment
- Communications equipment
- Power supply for microcomputers

General Description

The TX9116 Series is a Synchronous step-up DC/DC Converter with PFM Control. With the TX9116 Series, a step-up switching DC/DC converter can be configured by using

an external coil,capacitor. The built-in MOSFET is turned off by a protection circuit when the voltage at the LX pin exceeds the limit to prevent it from being damaged.

Block Diagram



Order Information

TX9116①②③④⑤

Designator	Symbol	Description
①	A	Standard LX
	B	With shutdown, LX
②③	Integer	Output Voltage (2.1~5.5) e.g:3.0V=②: 3; ③: 0
④	T	Package:TO-92
	P	Package:SOT89
	M	Package:SOT23-3
	M5	Package:SOT23-5
	N	Package:SOT23
⑤	R	RoHS / Pb Free



Pin Assignment

SOT-23
SOT-23-3

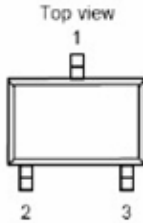


Table 1 TX9116A Series (SOT-23-3/SOT-23 PKG)

PIN NO.	PIN NAME	FUNCTION
1	V _{OUT}	Output voltage pin
2	V _{SS}	GND pin
3	LX	External inductor connection pin

SOT-23-5
Top view

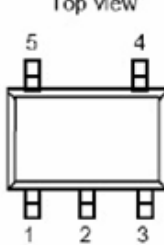


Table 2 TX9116B Series (SOT-23-5 PKG)

PIN NO.	PIN NAME	FUNCTION
1	EN	Shutdown pin "H": Normal operation "L": Step-up stopped
2	V _{OUT}	Output voltage pin
3	NC	(N.C.)
4	V _{SS}	GND pin
5	LX	External inductor connection pin

SOT-89-3
Top view



Table 3 TX9116A Series (SOT-89-3 PKG)

PIN NO.	PIN NAME	FUNCTION
1	V _{SS}	GND pin
2	V _{OUT}	Output voltage pin
3	LX	External inductor connection pin

TO-92
Bottom view



Table 4 TX9116A Series (TO-92 PKG)

PIN NO.	PIN NAME	FUNCTION
1	V _{SS}	GND pin
2	V _{OUT}	Output voltage pin
3	LX	External inductor connection pin



Absolute Maximum Ratings

TX9116

(Unless otherwise specified, Ta=25°C)

PARAMETER		SYMBOL	RATINGS	UNITS
VOUT Pin Voltage		V _{OUT}	V _{SS} -0.3~V _{SS} +8	V
EN Pin Voltage		EN	V _{SS} -0.3~V _{SS} +8	V
LX Pin Voltage		V _{LX}	V _{SS} -0.3~V _{SS} +8	V
LX Pin Current		I _{LX}	1000	mA
Power Dissipation	SOT23	PD	250	mW
	SOT23-3/SOT23-5		250	mW
	SOT-89-3		500	mW
	TO-92		500	mW
Operating Temperature		T _{OPR}	-40~+85	°C
Storage Temperature		T _{STG}	-40~+125	°C
Soldering Temperature & Time		T _{SOLDER}	260°C, 10s	

Note: These are stress ratings only. Stresses exceeding the range specified under “Absolute Maximum Ratings” may cause substantial damage to the device. Functional operation of this device at other conditions beyond those listed in the specification is not implied and prolonged exposure to extreme conditions may affect device reliability.

Electrical Characteristics

(Unless otherwise specified, Ta = 25°C)

PARAMETER	SYMBOL	MIN	TYP	MAX	UNITS	CONDITION
Output Voltage	V _{OUT}	V _{OUT(S)} X0.98	V _{OUT}	V _{OUT(S)} X1.02	V	-
Input Voltage	V _{IN}	-	-	7.5	V	-
Operation Start Voltage	V _{ST1}	-	-	0.9	V	I _{OUT} =1mA
Input Current At No Load	I _{SS}	-	15	-	uA	V _{IN} =1.8V, V _{OUT} =3.0V
Current Consumption 2	I _{SS2}	-	6	10	uA	V _{OUT} =V _{OUT(S)} +0.5V
Current Consumption During Shutdown	I _{SSS}	-	-	1.0	uA	V _{EN} =0V
Maximum Oscillation Frequency	fosc		300		KHz	V _{OUT} =0.95xV _{OUT(S)} , measure Waveform at LX pin
Duty Ratio1	Duty1	70	78	85	%	V _{OUT} =0.95xV _{OUT(S)}
Efficiency	EFF1		90		%	
Shutdown Pin Input Voltage	V _{SH}	0.75	-	-	V	V _{OUT} =0.95xV _{OUT(S)} , judge Oscillation at LX pin
	V _{SL1}	-	-	0.3	V	V _{OUT} =0.95xV _{OUT(S)} , judge stop at LX pin
Shutdown Pin input Current	I _{SH}	-0.1	-	0.1	uA	V _{EN} =6V
	I _{SL}	-0.1	-	0.1	uA	V _{EN} =0V

Remark: VOUT(S) specified above is the set output voltage value, and VOUT is the typical value of the

TEL: +86-0755-27595155 27595165

FAX: +86-0755-27594792

WEB: [Http://www.ChipSourceTek.com](http://www.ChipSourceTek.com)

E-mail: Sales@ChipSourceTek.com Tony.Wang@ChipSourceTek.com

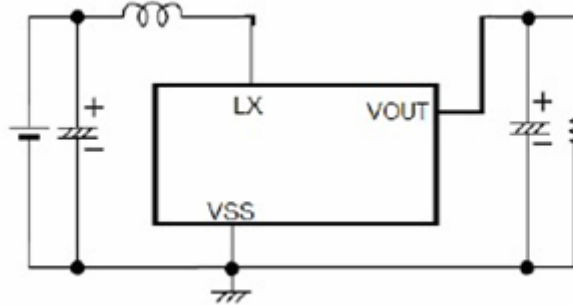


actual output voltage

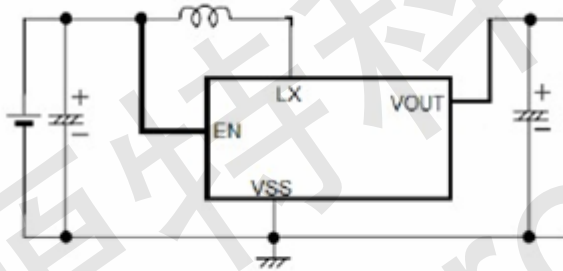
TX9116

Application Circuits

1) TX9116A



2) TX9116B



Note: External Component Recommendation:

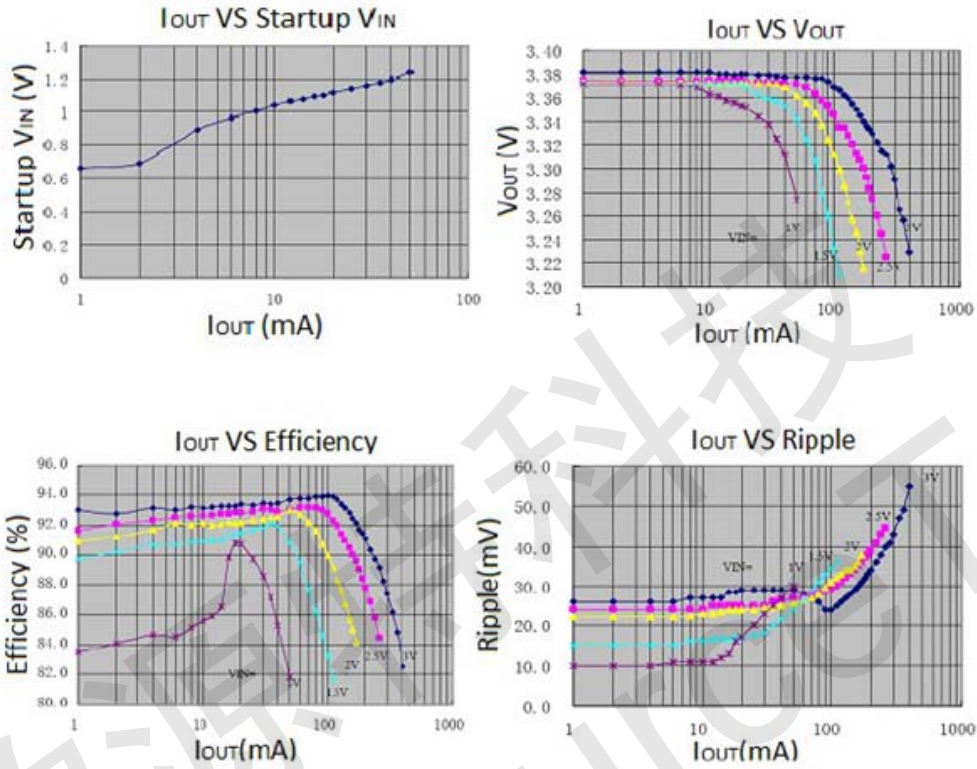
- 1) $L=47\mu\text{H}$ (Sumida)
- 2) $C_F=47\mu\text{F}/16\text{V}$ (Tantalum)



TX9116

TYPICAL PERFORMANCE CHARACTERISTICS

($C_{in}=C_{out}=100\mu F, L=47\mu H$)

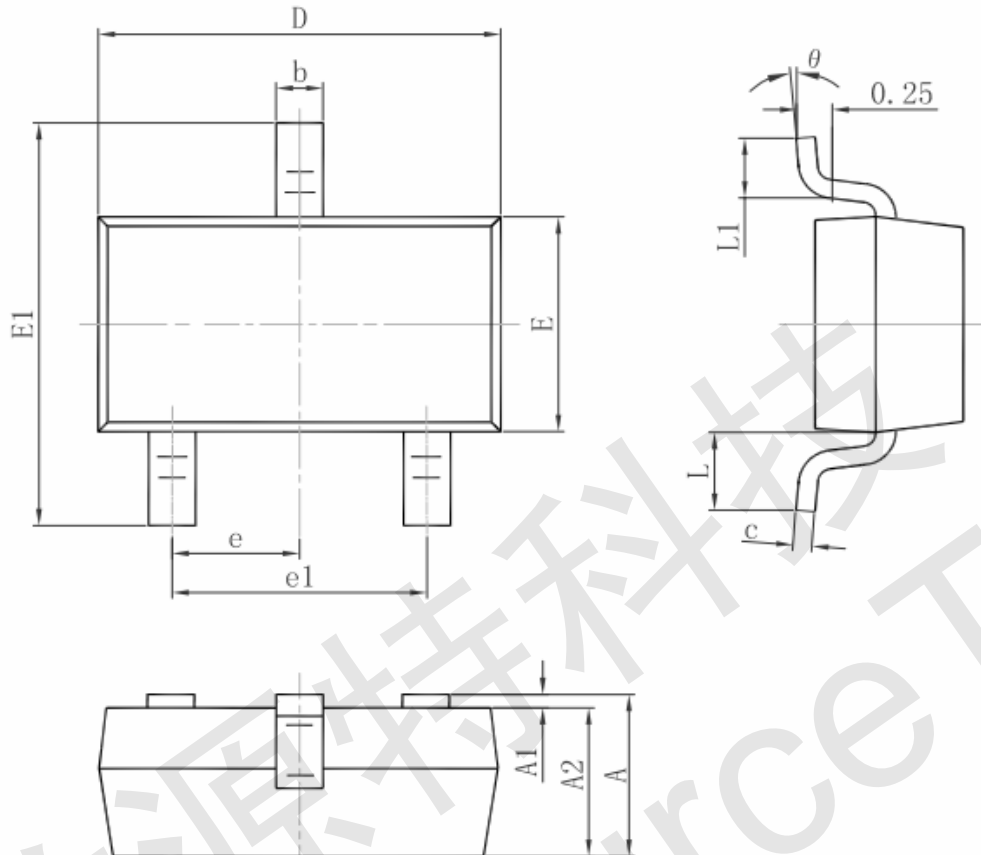




Package Information

TX9116

3-pin SOT23 Outline Dimensions

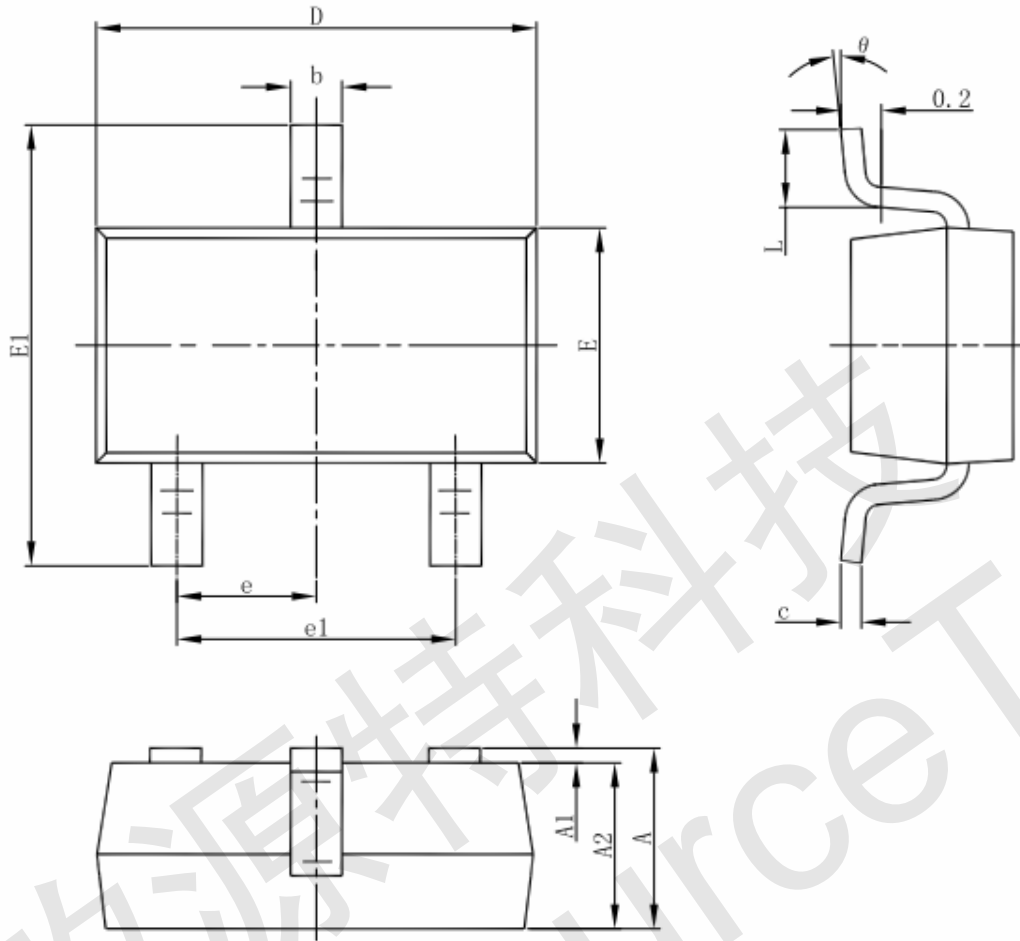


Symbol	Dimensions In Millimeters		Dimensions In Inches	
	Min.	Max.	Min.	Max.
A	0.900	1.150	0.035	0.045
A1	0.000	0.100	0.000	0.004
A2	0.900	1.050	0.035	0.041
b	0.300	0.500	0.012	0.020
c	0.080	0.150	0.003	0.006
D	2.800	3.000	0.110	0.118
E	1.200	1.400	0.047	0.055
E1	2.250	2.550	0.089	0.100
e	0.950 TYP.		0.037 TYP.	
e1	1.800	2.000	0.071	0.079
L	0.550 REF.		0.022 REF.	
L1	0.300	0.500	0.012	0.020
θ	0°	8°	0°	8°



3-pin SOT23-3 Outline Dimensions

TX9116

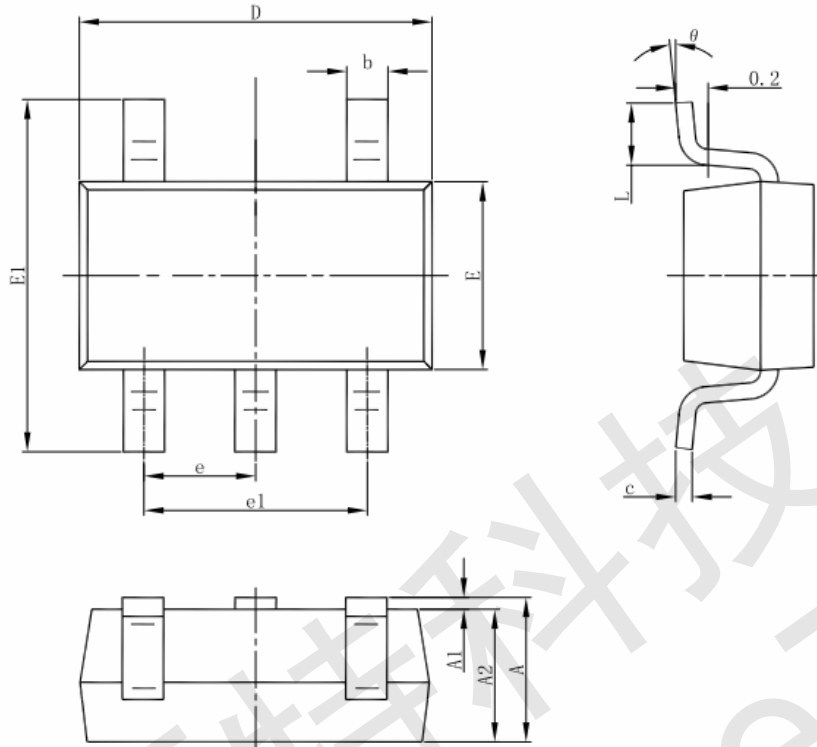


Symbol	Dimensions In Millimeters		Dimensions In Inches	
	Min	Max	Min	Max
A	1.050	1.250	0.041	0.049
A1	0.000	0.100	0.000	0.004
A2	1.050	1.150	0.041	0.045
b	0.300	0.500	0.012	0.020
c	0.100	0.200	0.004	0.008
D	2.820	3.020	0.111	0.119
E	1.500	1.700	0.059	0.067
E1	2.650	2.950	0.104	0.116
e	0.950(BSC)		0.037(BSC)	
e1	1.800	2.000	0.071	0.079
L	0.300	0.600	0.012	0.024
θ	0°	8°	0°	8°



5-pin SOT23-5L Outline Dimensions

TX9116

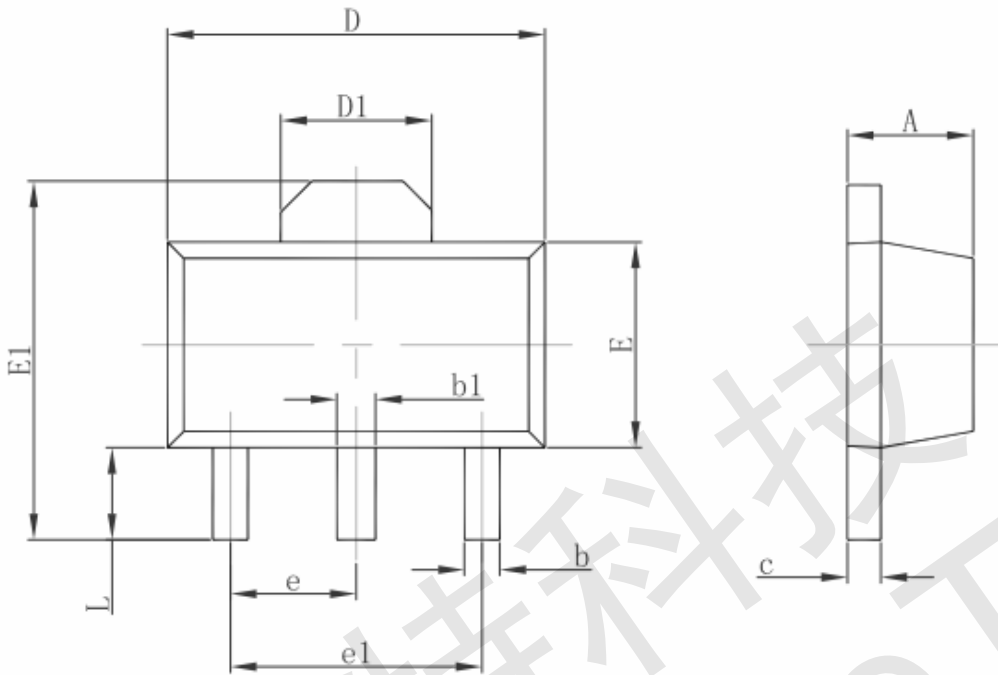


Symbol	Dimensions In Millimeters		Dimensions In Inches	
	Min	Max	Min	Max
A	1.050	1.250	0.041	0.049
A1	0.000	0.100	0.000	0.004
A2	1.050	1.150	0.041	0.045
b	0.300	0.500	0.012	0.020
c	0.100	0.200	0.004	0.008
D	2.820	3.020	0.111	0.119
E	1.500	1.700	0.059	0.067
E1	2.650	2.950	0.104	0.116
e	0.950(BSC)		0.037(BSC)	
e1	1.800	2.000	0.071	0.079
L	0.300	0.600	0.012	0.024
θ	0°	8°	0°	8°



TX9116

3-pin SOT89-3 Outline Dimensions

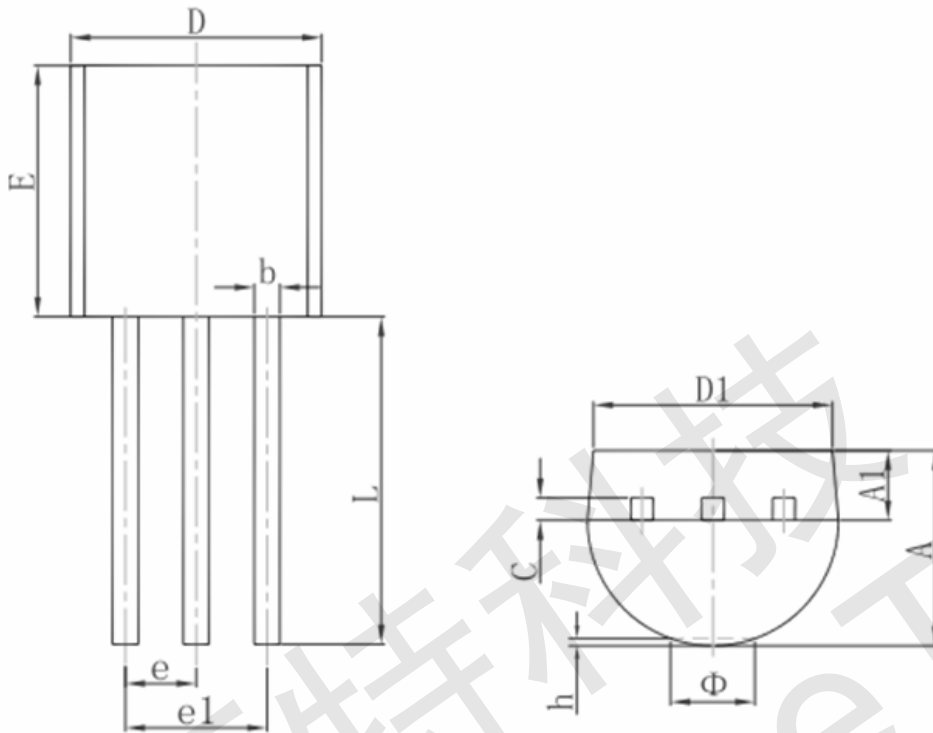


Symbol	Dimensions In Millimeters		Dimensions In Inches	
	Min.	Max.	Min.	Max.
A	1.400	1.600	0.055	0.063
b	0.320	0.520	0.013	0.020
b1	0.400	0.580	0.016	0.023
c	0.350	0.440	0.014	0.017
D	4.400	4.600	0.173	0.181
D1	1.550 REF.		0.061 REF.	
E	2.300	2.600	0.091	0.102
E1	3.940	4.250	0.155	0.167
e	1.500 TYP.		0.060 TYP.	
e1	3.000 TYP.		0.118 TYP.	
L	0.900	1.200	0.035	0.047



3-pin TO92 Outline Dimensions

TX9116



Symbol	Dimensions In Millimeters		Dimensions In Inches	
	Min.	Max.	Min.	Max.
A	3.300	3.700	0.130	0.146
A1	1.100	1.400	0.043	0.055
b	0.380	0.550	0.015	0.022
c	0.360	0.510	0.014	0.020
D	4.300	4.700	0.169	0.185
D1	3.430		0.135	
E	4.300	4.700	0.169	0.185
e	1.270 TYP.		0.050 TYP.	
e1	2.440	2.640	0.096	0.104
L	14.100	14.500	0.555	0.571
Φ		1.600		0.063
h	0.000	0.380	0.000	0.015



TX9116

© ShenZhen ChipSourceTek Technology Co.,Ltd.

CST cannot assume responsibility for use of any circuitry other than circuitry entirely embodied in a CST product. No circuit patent license, copyrights or other intellectual property rights are implied. CST reserves the right to make changes to their products or specifications without notice. Customers are advised to obtain the latest version of relevant information to verify, before placing orders, that information being relied on is current and complete.