



RX3708 5.5V Output, 1A, 1.2MHz Boost Regulator

RX3708 Features

- 2.5V to 5.5V Input Voltage
- 2.5V to 5.5V Output Voltage
- 1.2MHz Fixed Switching Frequency
- Internal 4A Switch Current Limit
- Thermal Shutdown
- Integrated 80mΩ Power MOSFET
- Output Adjustable from 0.6V
- Internal Compensation
- -40°C to +85°C Temperature Range
- Available in SOT23-6 Package

RX3708 Applications

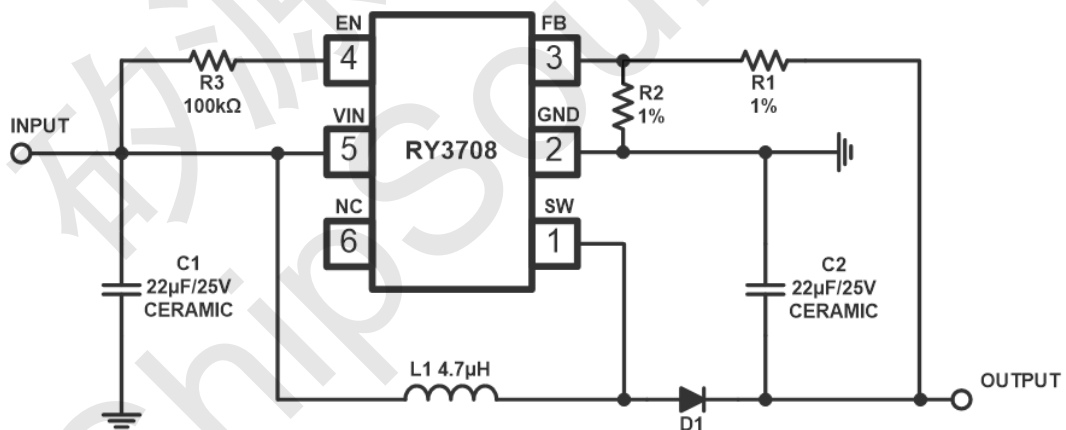
- Digital Set-top Box (STB)
- Tablet Personal Computer (Pad)
- Battery-Powered Equipment
- Portable Media Player (PMP)
- General Purposes

RX3708 General Description

The RX3708 is a constant frequency, current mode step-up converter intended for small, low power applications. The RX3708 switches at 1.2MHz and allows the use of tiny, low cost capacitors and inductors 2mm or less in height. Internal soft-start results in small inrush current and extends battery life.

The RX3708 includes under-voltage lockout, current limiting, and thermal overload protection to prevent damage in the event of an output overload. The RX3708 is available in a small 6-pin SOT-23 package.

RX3708 Typical Application Circuit



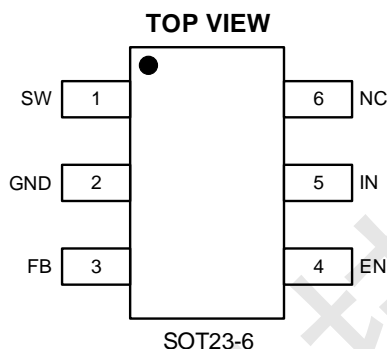
Basic Application Circuit



R_Y3708 5.5V Output, 1A, 1.2MHz Boost Regulator

R_Y3708 Pin Description

Pin Configuration



Top Marking: KAYLL (Device code: KA, Y=year code, LL= lot number code)

Pin Description

| Pin | Name | Function |
|-----|------|---|
| 1 | SW | Power Switch Output. LX is the drain of the internal MOSFET switch. Connect the power inductor and output rectifier to LX. |
| 2 | GND | Ground Pin |
| 3 | FB | Feedback Input. The FB voltage is 0.6V. Connect a resistor divider to FB. |
| 4 | EN | Regulator On/Off Control Input. A high input at EN turns on the converter, and a low input turns it off. When not used, connect EN to the input supply for automatic startup. |
| 5 | IN | Input Supply Pin. Must be locally bypassed. |
| 6 | NC | Not Connection |

R_Y3708 Order Information

| Marking | Part No. | Model | Description | Package | MOQ |
|--------------|----------|---------------------|--|---------|---------|
| <u>KAYLL</u> | 70390001 | R _Y 3708 | R _Y 3708 Boost, V _{IN} 2.5V-5.5V/V _{OUT} 2.5V-5.5V, 1.2MHz, SOT23-6 | SOT23-6 | 3000PCS |



Ry3708 5.5V Output, 1A, 1.2MHz Boost Regulator

Ry3708 Absolute Maximum Ratings

| | | | |
|---|----------------|---------------------------------|----------------|
| V _{IN} , EN, Voltage | -0.3V to 6V | V _{SW} Voltage | -0.3V to 10V |
| All Other Pins | -0.3 to 6V | Storage Temperature Range | -65°C to 150°C |
| Operating Temperature Range | -40°C to +85°C | Junction Temperature..... | +150°C |
| Lead Temperature | +260°C | ESD (Human Body Made) HMB..... | 2KV |
| Continuous Power Dissipation(TA=+25°C) | 0.6W | ESD (Machine Made) MM..... | 200V |

Note1: Exceeding these ratings may damage the device.

Note2: The device is not guaranteed to function outside of its operating conditions.

Ry3708 Electrical Characteristics

| Parameter | Symbol | Test Conditions | Min | Typ. | Max | Unit |
|--------------------------|--------------------|--------------------------------------|-----|------|-----|------|
| Supply Current(Shutdown) | I _{IN} | V _{EN} =0V | | 0.1 | 1 | μA |
| Quiescent Current (PFM) | | V _{FB} =0.7V, No switch | | 50 | 100 | μA |
| Quiescent Current (PWM) | | V _{FB} =0.5V, switch | | 0.2 | 0.4 | mA |
| SW Leakage | | V _{SW} = 20V | | | 1 | μA |
| SW On Resistance | | | | 80 | 150 | mΩ |
| Operating Input Voltage | | | 2.5 | | 5.5 | V |
| Current Limit | I _{LIMIT} | V _{IN} = 5V, Duty Cycle=50% | | 4 | | A |
| Oscillator Frequency | f _{SW} | V _{FB} =0.75V | | 1.2 | | MHz |
| Maximum Duty Cycle | D _{MAX} | V _{FB} =0.7V | | 90 | | % |
| Feedback Voltage | V _{FB} | | 588 | 600 | 612 | mV |
| FB Input Bias Current | | V _{FB} =0.6V | -50 | -10 | | nA |
| EN Threshold | V _{EN} | | | 1 | | V |
| Thermal Shutdown | | | | 160 | | °C |

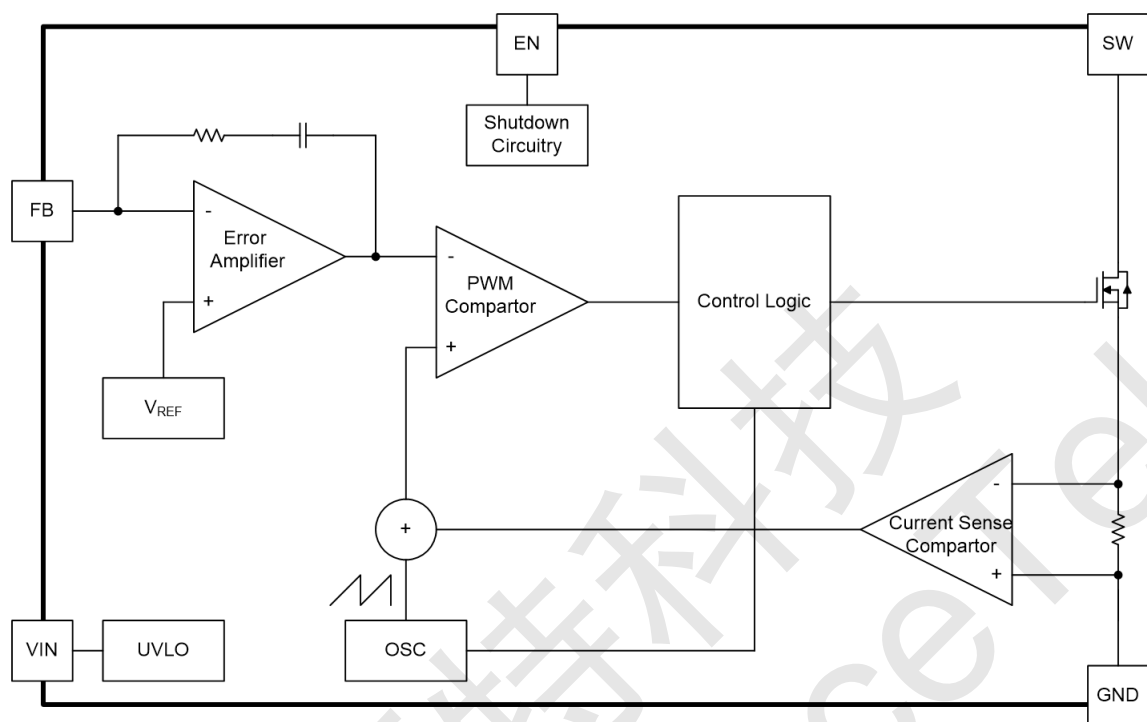
Note3: MOSFET on-resistance specifications are guaranteed by correlation to wafer level measurements.

Note4: Thermal shutdown specifications are guaranteed by correlation to the design and characteristics analysis.



RX3708 5.5V Output, 1A, 1.2MHz Boost Regulator

RX3708 Functional Block Diagram



RX3708 Block Diagram

RX3708 Operation

The RX3708 uses a fixed frequency, peak current mode boost regulator architecture to regulate voltage at the feedback pin. The operation of the RX3708 can be understood by referring to the block diagram of Figure 3. At the start of each oscillator cycle the MOSFET is turned on through the control circuitry. To prevent sub-harmonic oscillations at duty cycles greater than 50 percent, a stabilizing ramp is added to the output of the current sense amplifier and the result is fed into the negative input of the PWM comparator. When this voltage equals the output voltage of the error amplifier the power MOSFET is turned off. The voltage at the output of the error amplifier is an amplified version of the difference between the 0.6V band gap reference voltage and the feedback voltage. In this way the peak current level keeps the output in regulation. If the feedback voltage starts to drop, the output of the error amplifier increases. These results in more current to flow through the power MOSFET, thus increasing the power delivered to the output. The RX3708 has internal soft start to limit the amount of input current at startup and to also limit the amount of overshoot on the output.

RX3708 Application Information

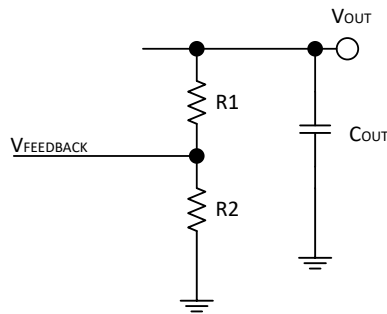
Setting the Output Voltage

are internally compensated and do not require external components to achieve stable operation. The output voltage can be programmed by resistor divider.

$$V_{OUT} = V_{FEEDBACK} \times \frac{R1 + R2}{R2}$$



RX3708 5.5V Output, 1A, 1.2MHz Boost Regulator



Inductor Selection

The RY3708 boost converter can utilize small surface mount and chip inductors due to the fast 1.2MHz switching frequency. Inductor values between 2.2μH and 10μH are suitable for most applications. Larger values of inductance will allow slightly greater output current capability by reducing the inductor ripple current. Increasing the inductance above 10μH will increase size while providing little improvement in output current capability. The minimum boost inductance value is given by:

$$L > \frac{V_{IN} \times (V_{OUT} + V_{DIODE} - V_{IN})}{F_S \times I_{RIPPLE} \times (V_{OUT} + V_{DIODE})}$$

Where

- I_{RIPPLE} : Peak-to-Peak inductor current
- V_{IN} : Input voltage
- V_{OUT} : Output voltage
- V_{DIODE} : Output diode Forward Voltage
- F_S : Switching frequency, Hertz

The inductor current ripple is typically set for 20% to 40% of the maximum inductor current. High frequency ferrite core inductor materials reduce frequency dependent power losses compared to cheaper powdered iron types, improving efficiency. The inductor should have low DCR (series resistance of the winding) to reduce the I^2R power losses, and must not saturate at peak inductor current levels. Molded chokes and some chip inductors usually

Capacitor Selection

The internal loop compensation of the RY3708 boost converter is designed to be stable with output capacitor values of 10μF or greater. Low ESR (equivalent series resistance) capacitors should be used to minimize the output voltage ripple. Multilayer ceramic capacitors are an excellent choice as they have extremely low ESR and are available in small footprints. A 10μF to 22μF output capacitor is sufficient for most fixed frequency applications. For applications where Burst Mode operation is enabled, a minimum value of 22μF is recommended. Larger values may be used to obtain very low output ripple and to improve transient response. X5R and X7R dielectric materials are preferred for their ability to maintain capacitance over wide voltage and temperature ranges. Y5V types should not be used. Case sizes smaller than 0805 are not recommended due to their increased DC bias effect.

Low ESR input capacitors reduce input switching noise and reduce the peak current drawn from the battery. It follows that ceramic capacitors are also a good choice for input decoupling and should be located as close as possible to the device. A 22μF input capacitor connected to inductor is sufficient for most applications. Larger values may be used without limitations. For applications where the power source is more than a few inches away, a larger bulk



Ry3708 5.5V Output, 1A, 1.2MHz Boost Regulator

decoupling capacitor is recommended on the input to the boost converter.

Diode Selection

A Schottky diode should be used for the output diode. The forward current rating of the diode should be higher than the load current, and the reverse voltage rating must be higher than the output voltage. Do not use ordinary rectifier diodes, since slow switching speeds and long recovery times cause the efficiency and the load regulation to suffer.

Layout Consideration

PC board layout is an important part of DC-DC converter design. Poor board layout can disrupt the performance of a DC-DC converter and surrounding circuitry by contributing to EMI, ground bounce, and resistive voltage loss in the traces. These can send erroneous signals to the DC-DC converter resulting in poor regulation or instability. Good layout can be implemented by following a few simple design rules.

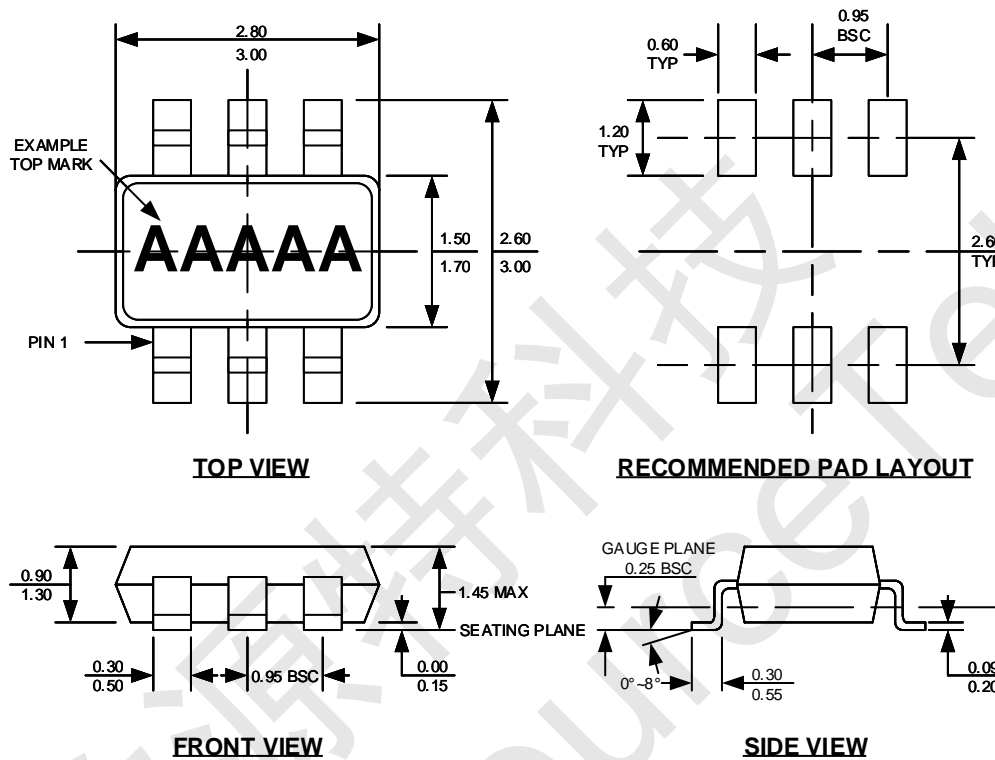
1. Minimize area of switched current loops. In a buck regulator there are two loops where currents are switched rapidly. The first loop starts from the CIN input capacitor, to the regulator VIN terminal, to the regulator SW terminal, to the inductor then out to the output capacitor COUT and load. The second loop starts from the output capacitor ground, to the regulator GND terminals, to the inductor and then out to COUT and the load. To minimize both loop areas the input capacitor should be placed as close as possible to the VIN terminal. Grounding for both the input and output capacitors should consist of a small localized topside plane that connects to GND. The inductor should be placed as close as possible to the SW pin and output capacitor.
2. Minimize the copper area of the switch node. The SW terminals should be directly connected with a trace that runs on top side directly to the inductor. To minimize IR losses this trace should be as short as possible and with a sufficient width. However, a trace that is wider than 100 mils will increase the copper area and cause too much capacitive loading on the SW terminal. The inductors should be placed as close as possible to the SW terminals to further minimize the copper area of the switch node.
3. Have a single point ground for all device analog grounds. The ground connections for the feedback components should be connected together then routed to the GND pin of the device. This prevents any switched or load currents from flowing in the analog ground plane. If not properly handled, poor grounding can result in degraded load regulation or erratic switching behavior.
4. Minimize trace length to the FB terminal. The feedback trace should be routed away from the SW pin and inductor to avoid contaminating the feedback signal with switch noise.
5. Make input and output bus connections as wide as possible. This reduces any voltage drops on the input or output of the converter and can improve efficiency. If voltage accuracy at the load is important make sure feedback voltage sense is made at the load. Doing so will correct for voltage drops at the load and provide the best output accuracy.



RY3708 5.5V Output, 1A, 1.2MHz Boost Regulator

RY3708 Package Description

SOT23-6



NOTE:

1. CONTROL DIMENSION IS IN INCHES. DIMENSION IN BRACKET IS IN MILLIMETERS.
2. PACKAGE LENGTH DOES NOT INCLUDE MOLD FLASH, PROTRUSIONS OR GATE BURRS.
3. PACKAGE WIDTH DOES NOT INCLUDE INTERLEAD FLASH OR PROTRUSIONS.
4. LEAD COPLANARITY (BOTTOM OF LEADS AFTER FORMING) SHALL BE 0.004" INCHES MAX.
5. DRAWING CONFORMS TO JEDEC MS-012, VARIATION BA.
6. DRAWING IS NOT TO SCALE.