



High Output Current LDO Regulator , High PSRR , Low Dropout, ME6207 Series

ME6207 General Description Features

The ME6207 Series is a positive voltage regulator with a low dropout voltage, high output voltage accuracy, and low current consumption developed based on CMOS technology.

A built-in low on-resistance transistor provides a low dropout voltage and large output current, a built-in overcurrent protector prevents the load current from exceeding the current capacitance of the output transistor. An ON/OFF circuit ensures a long battery life. Compared with the voltage regulators using the conventional CMOS process, a larger variety of capacitors are available, including small ceramic capacitors.

ME6207 Features

- Maximum Output Current: 800 mA ($V_{IN} \geq V_{OUT(T)} + 1.0V$)
- Dropout Voltage: 100mV @ $I_{OUT} = 300mA, V_{OUT} = 5.0V$
- Operating Voltage Range: 2V ~ 6.5V
- Highly Accuracy: $\pm 1\%$
- Low Current Consumption:
During Operation: 82uA (TYP.)
During Shutdown: 0.1uA (TYP.)
- High Ripple Rejection: 65dB @ 1KHz (ME6207C50)
- Line Regulation: 0.05% (TYP.)

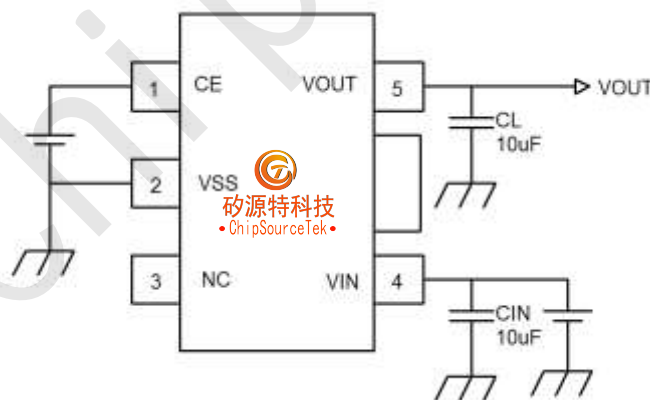
ME6207 Typical Application

- Power supply for DVD and CD-ROM drives
- Power supply for personal communication device
- Power supply for battery-powered devices
- Power supply for note PCs

ME6207 Package

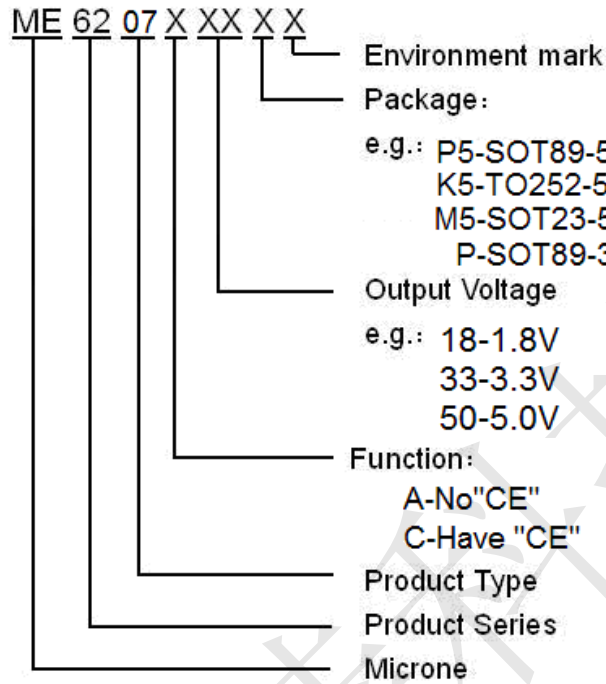
- 3-pin SOT89-3
- 5-pin SOT89-5, SOT23-5, TO252-5

ME6207 Typical Application Circuit





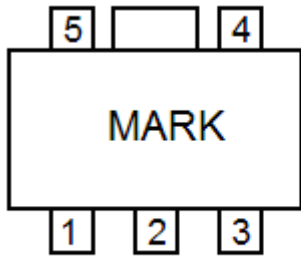
ME6207 Selection Guide



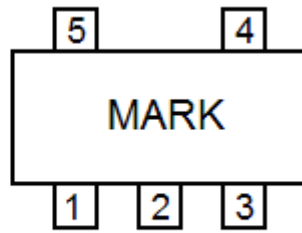
| product series | product description |
|----------------|---|
| ME6207A50PG | $V_{OUT} = 5.0V$; no enable function; Package: SOT89-3 |
| ME6207C18M5G | $V_{OUT} = 1.8V$; have enable function; Package: SOT23-5 |
| ME6207C33M5G | $V_{OUT} = 3.3V$; have enable function; Package: SOT23-5 |
| ME6207C50K5G | $V_{OUT} = 5.0V$; have enable function; Package: TO252-5 |
| ME6207C50M5G | $V_{OUT} = 5.0V$; have enable function; Package: SOT23-5 |
| ME6207C50P5G | $V_{OUT} = 5.0V$; have enable function; Package: SOT89-5 |



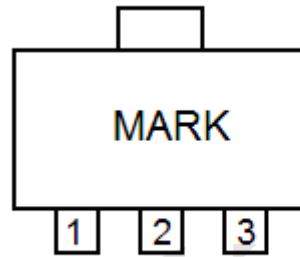
ME6207 Pin Configuration



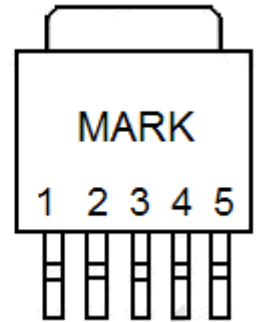
SOT-89-5



SOT23-5



SOT89-3



TO252-5

ME6207 Pin Assignment

ME6207AXX

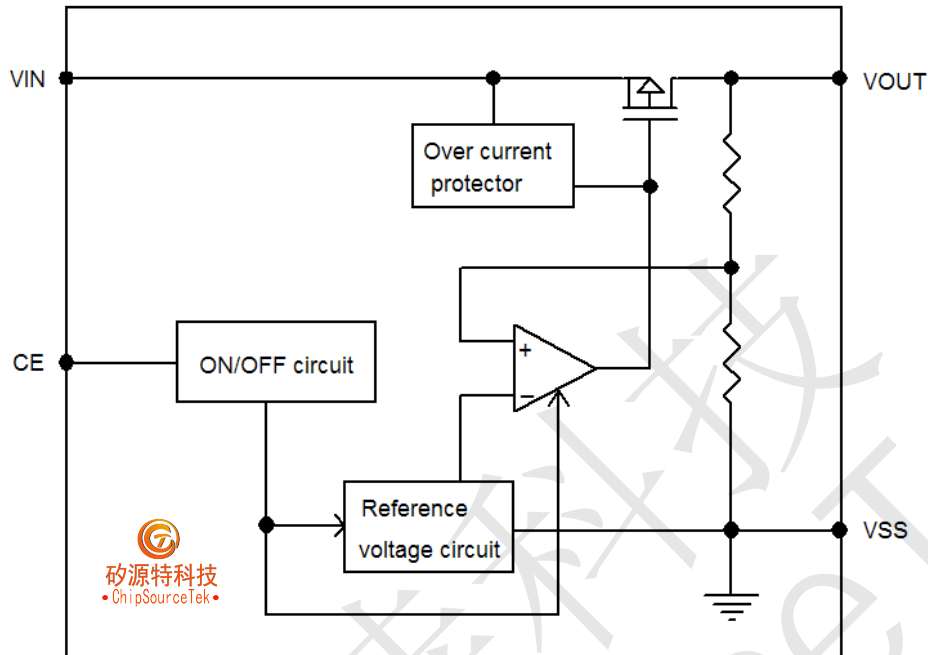
| Pin Number | Pin Name | Functions |
|------------|------------------|----------------|
| SOT89-3 | | |
| 1 | V _{SS} | Ground |
| 2 | V _{IN} | Input Voltage |
| 3 | V _{OUT} | Output Voltage |

ME6207CXX

| Pin Number | | | Pin Name | Functions |
|------------|---------|---------|------------------|------------------|
| SOT89-5 | SOT23-5 | TO252-5 | | |
| 1 | 3 | 5 | CE | ON / OFF Control |
| 2 | 2 | 3 | V _{SS} | Ground |
| 3 | 4 | 1 | NC | No Connect |
| 4 | 1 | 2 | V _{IN} | Input Voltage |
| 5 | 5 | 4 | V _{OUT} | Output Voltage |



ME6207 Block Diagram



ME6207 Absolute Maximum Ratings

| Parameter | Symbol | Ratings | Units | |
|-----------------------------|-----------|--------------------------------|-------------|----|
| Input Voltage | V_{IN} | 7.0 | V | |
| Output Current | I_{OUT} | 800 | mA | |
| Output Voltage | V_{OUT} | $V_{SS}-0.3 \sim V_{IN} + 0.3$ | V | |
| CE Pin Voltage | V_{CE} | $V_{SS}-0.3 \sim V_{IN} + 0.3$ | V | |
| Power Dissipation | P_D | SOT-89-5 | 1000 | mW |
| | | TO252-5 | 1000 | mW |
| | | SOT-23-5 | 250 | mW |
| | | SOT-89-3 | 500 | mW |
| Operating Temperature Range | T_{OPR} | $-40 \sim +85$ | $^{\circ}C$ | |
| Storage Temperature Range | T_{STG} | $-40 \sim +125$ | $^{\circ}C$ | |



ME6207 Electrical Characteristics

($V_{IN} = V_{OUT}(T) + 1.0V$, $V_{CE} = V_{IN}$, $C_{IN} = C_L = 10\mu F$, $T_a = 25^\circ C$, unless otherwise noted)

| Parameter | Symbol | Conditions | Min. | Typ. | Max. | Units | |
|--------------------------------------|--|---|----------------------------------|--------------------------|--------|---------|----|
| Output Voltage | $V_{OUT(E)}$ (Note 2) | $I_{OUT} = 100mA$ | X 0.99 | $V_{OUT}(T)$ (Note 1) | X 1.01 | V | |
| Input voltage | V_{IN} | - | 2.0 | - | 6.5 | V | |
| Maximum Output Current | I_{OUTMAX} (Note 4) | $V_{IN} \geq V_{OUT}(T) + 1.0V$ | - | 800 | - | mA | |
| Load Regulation | ΔV_{OUT} | $1mA \leq I_{OUT} \leq 300mA$ | - | 10 | 100 | mV | |
| Line Regulation | $\frac{\Delta V_{OUT}}{\Delta V_{IN} \cdot V_{OUT}}$ | $I_{OUT} = 100mA$ $V_{OUT}(T) + 0.5V \leq V_{IN} \leq 6.5V$ | - | 0.05 | 0.3 | %/V | |
| Dropout Voltage | V_{DIF} (Note 3) | $I_{OUT} = 300mA$ | $1.8V \leq V_{OUT}(T) \leq 2.0V$ | - | 200 | 260 | mV |
| | | | $3.0V \leq V_{OUT}(T) \leq 5.5V$ | - | 100 | 180 | |
| Current consumption during operation | I_{SS1} | CE pin = ON, no load | - | 82 | 160 | μA | |
| Current consumption during shutdown | I_{SS2} | CE pin = OFF, no load | - | 0.1 | 1.0 | μA | |
| CE "High" Voltage | V_{CEH} | Start up, $R_L = 1.0K\Omega$ | 1.5 | - | - | V | |
| CE "Low" Voltage | V_{CEL} | Shut down, $R_L = 1.0K\Omega$ | - | - | 0.3 | V | |
| CE "High" Current | I_{CEH} | $V_{IN} = 6.5V, V_{CE} = 6.5V$ | -0.1 | - | 0.1 | μA | |
| CE "Low" Current | I_{CEL} | $V_{IN} = 6.5V, V_{CE} = 0V$ | -0.1 | - | 0.1 | μA | |
| Ripple Rejection Rate | RR | $V_{IN} = 6V$, $\Delta V_{rip} = 0.5V_{rms}$, $I_{OUT} = 100mA$, $f = 1kHz$ | $1.8V \leq V_{OUT}(T) \leq 2.0V$ | - | 70 | - | dB |
| | | | $3.0V \leq V_{OUT}(T) \leq 5.5V$ | - | 65 | - | |
| Short-circuit current | I_{short} | CE pin = ON, $V_{OUT} = 0V$ | - | 350 | - | mA | |

Note :

- $V_{OUT}(T)$: Specified Output Voltage
- $V_{OUT}(E)$: Effective Output Voltage (i.e. The output voltage when " $V_{OUT}(T) + 1.0V$ " is provided at the Vin pin while maintaining a certain Iout value.)
- V_{DIF} : $V_{IN1} - V_{OUT}(E)$
 V_{IN1} : The input voltage when $V_{OUT}(E)$ appears as input voltage is gradually decreased.
 $V_{OUT}(E)$: A voltage equal to 98% of the output voltage whenever an amply stabilized Iout ($V_{OUT}(T) + 1.0V$) is input.
- I_{OUTMAX} : Due to restrictions on the package power dissipation, this value may not be satisfied. Attention should be paid to the power dissipation of the package when the output current is large. This specification is guaranteed by design.



ME6207 Operation

1. Basic operation

Figure 1 shows the block diagram of the ME6207 Series.

The error amplifier compares the reference voltage (V_{ref}) with V_{fb} , which is the output voltage resistance-divided by feedback resistors R_s and R_f . It supplies the output transistor with the gate voltage necessary to ensure a certain output voltage free of any fluctuations of input voltage and temperature.

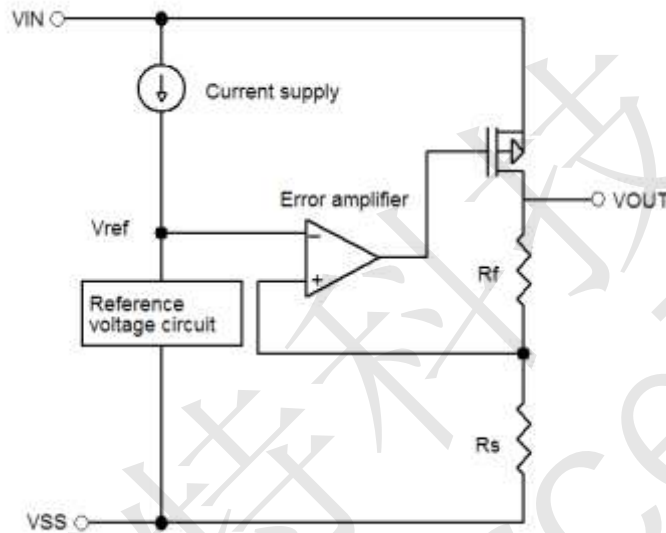


Figure 1

2. Output transistor

The ME6207 Series uses a low on-resistance P-channel MOS FET as the output transistor. Be sure that V_{OUT} does not exceed $V_{IN} + 0.3\text{ V}$ to prevent the voltage regulator from being damaged due to inverse current flowing from V_{OUT} pin through a parasitic diode to V_{IN} pin.

3. Shutdown pin (CE pin)

This pin starts and stops the regulator.

When the CE pin is set to the shutdown level, the operation of all internal circuits stops, and the built-in P-channel MOS FET output transistor between the V_{IN} pin and V_{OUT} pin is turned off to substantially reduce the current consumption. The V_{OUT} pin becomes the V_{SS} level due to the internally divided resistance of several hundreds $k\Omega$ between the V_{OUT} pin and V_{SS} pin. Since the CE pin is neither pulled down nor pulled up internally, do not use it in the floating state. In addition, note that the current consumption increases if a voltage of 0.3 V to $V_{IN} - 0.3\text{ V}$ is applied to the CE pin.

Table 1

| CE Pin | Internal Circuits | VOUT Pin Voltage | Current Consumption |
|---------------|-------------------|------------------|---------------------|
| "H" Power on | Operating | Set value | I_{SS1} |
| "L" Power off | Stopped | V_{SS} level | I_{SS2} |



ME6207 Precautions

1. Wiring patterns for the VIN, VOUT and GND pins should be designed so that the impedance is low. When mounting an output capacitor between the VOUT and VSS pins (CL) and a capacitor for stabilizing the input between VIN and VSS pins (CIN), the distance from the capacitors to these pins should be as short as possible.
2. Note that the output voltage may increase when a series regulator is used at low load current (1.0 mA or less).
3. Generally a series regulator may cause oscillation, depending on the selection of external parts. The following conditions are recommended for this IC. However, be sure to perform sufficient evaluation under the actual usage conditions for selection, including evaluation of temperature characteristics.

Input capacitor (CIN): 4.7 μ F or more

Output capacitor (CL): 4.7 μ F or more

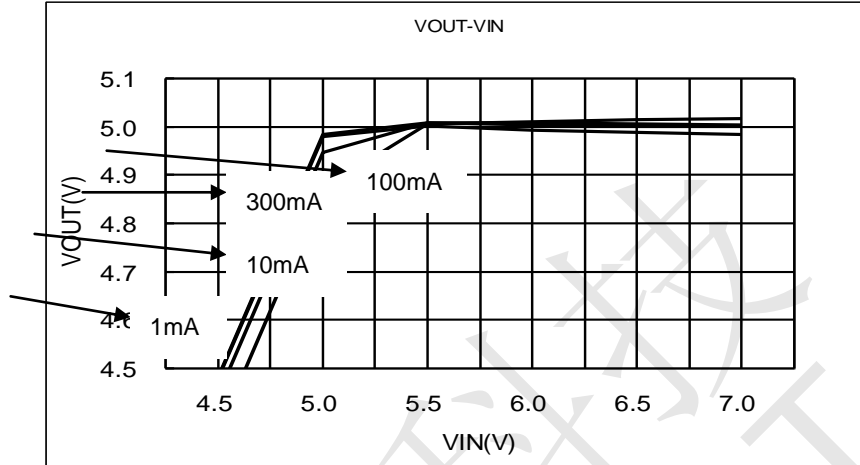
Equivalent series resistance (ESR): 0.5 Ω or less

4. The voltage regulator may oscillate when the impedance of the power supply is high and the input capacitor is small or an input capacitor is not connected.
5. The application conditions for the input voltage, output voltage, and load current should not exceed the package power dissipation.
6. Do not apply an electrostatic discharge to this IC that exceeds the performance ratings of the built-in electrostatic protection circuit.
7. SII claims no responsibility for any disputes arising out of or in connection with any infringement by products including this IC of patents owned by a third party.

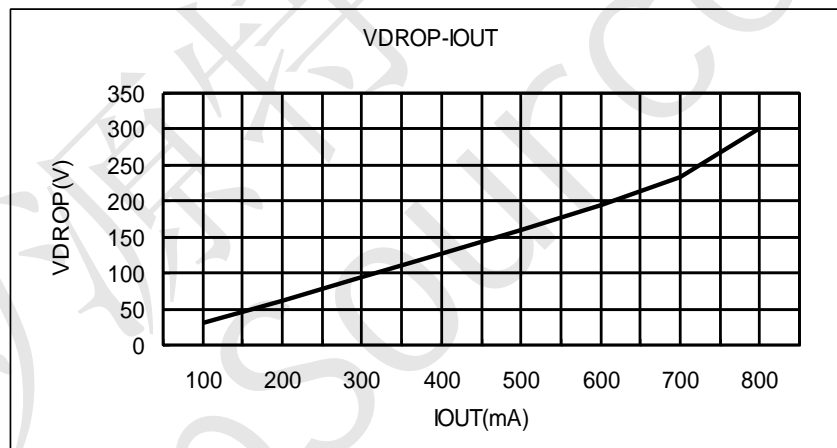


ME6207 Type Characteristics

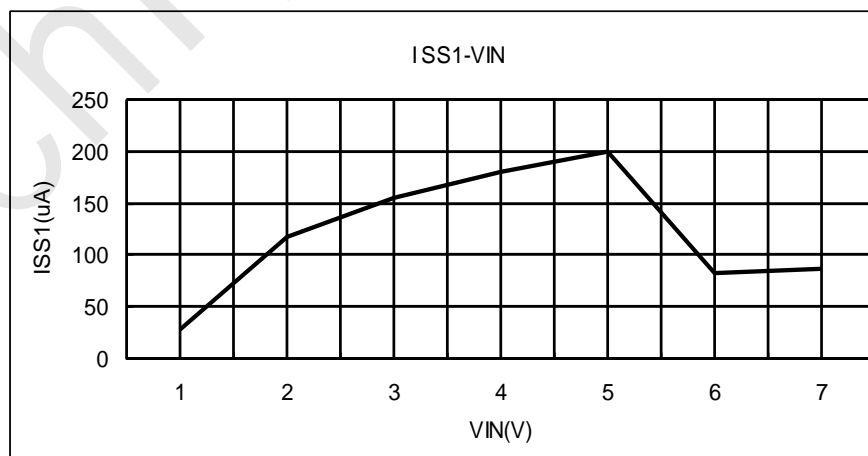
- (1) Input Voltage VS. Output Voltage ($T_a = 25^\circ\text{C}$)
ME6207C50P5G



- (2) Output Current VS. Dropout Voltage ($V_{IN} = V_{OUT} (T) + 1.0V, T_a = 25^\circ\text{C}$)
ME6207C50P5G

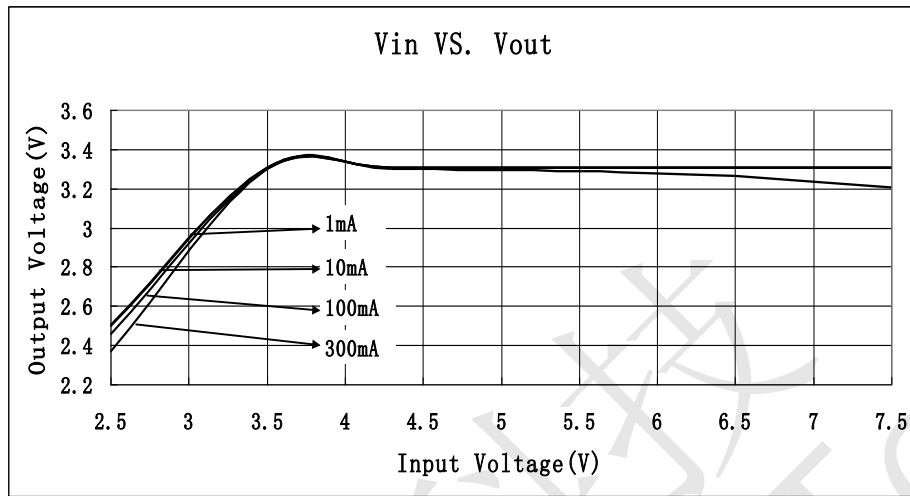


- (3) Input Voltage VS. Current Consumption ($T_a = 25^\circ\text{C}$)
ME6207C50P5G

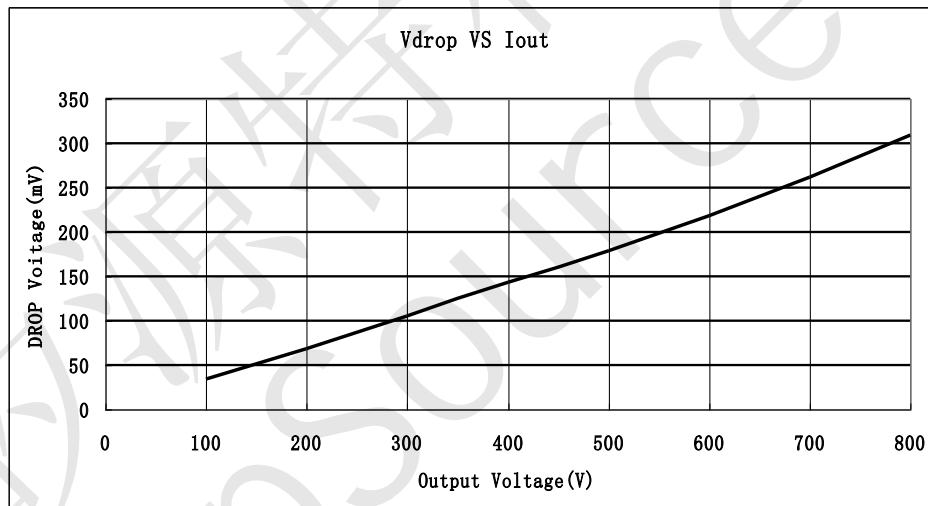




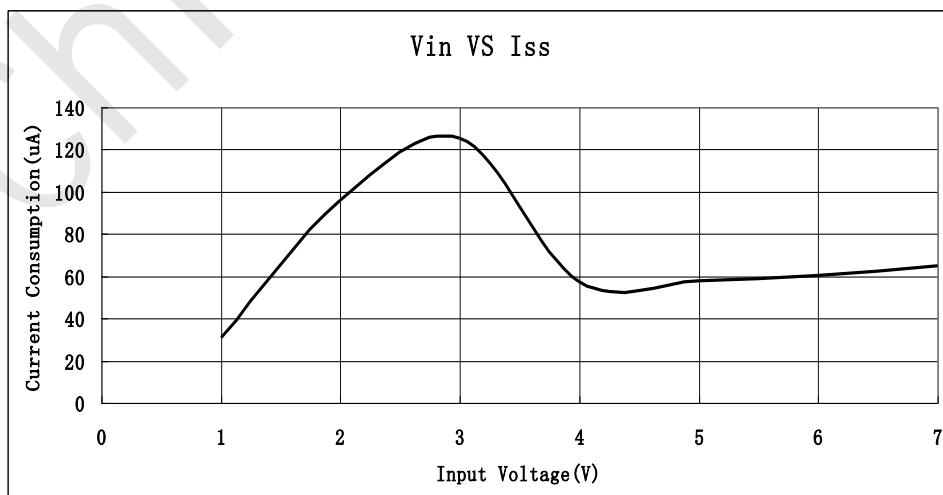
- (4) Input Voltage VS. Output Voltage ($T_a = 25^\circ\text{C}$)
ME6207C33M5G



- (5) Output Current VS. Dropout Voltage ($V_{IN} = V_{OUT} (T) + 1.0V, T_a = 25^\circ\text{C}$)
ME6207C33M5G

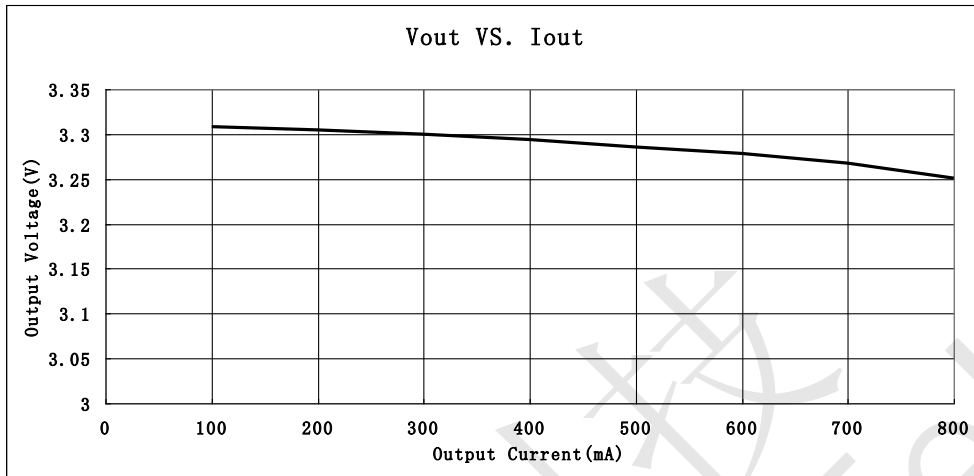


- (6) Output Current VS. Current Consumption ($V_{IN} = V_{OUT} (T) + 1.0V, T_a = 25^\circ\text{C}$)
ME6207C33M5G





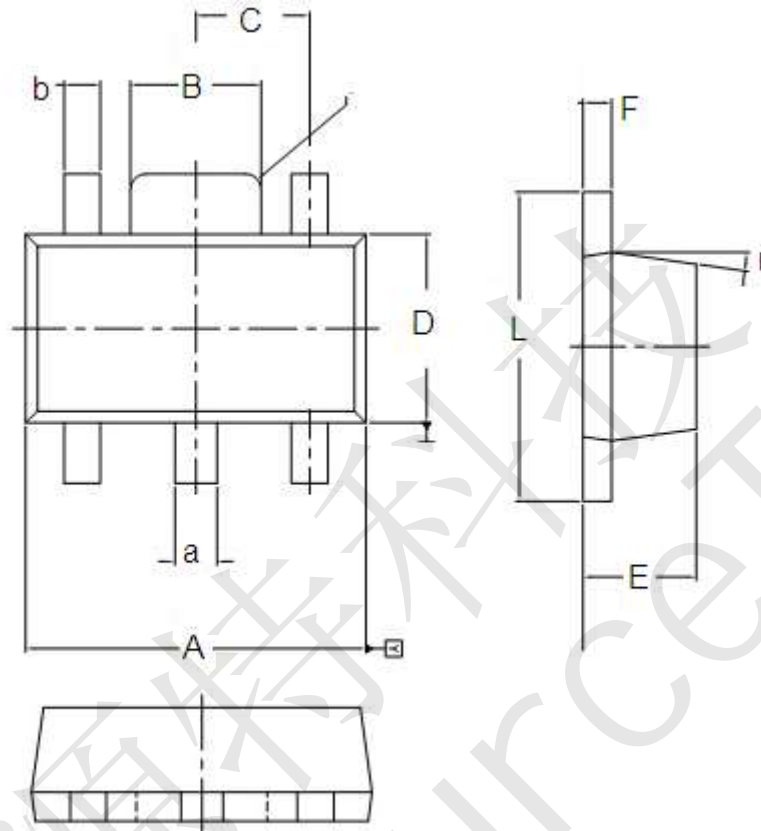
(7) Output Current VS. Output Voltage ($V_{IN} = V_{OUT} (T) + 1.0V, T_a = 25^\circ C$)
ME6207C33M5G





ME6207 Package Information:

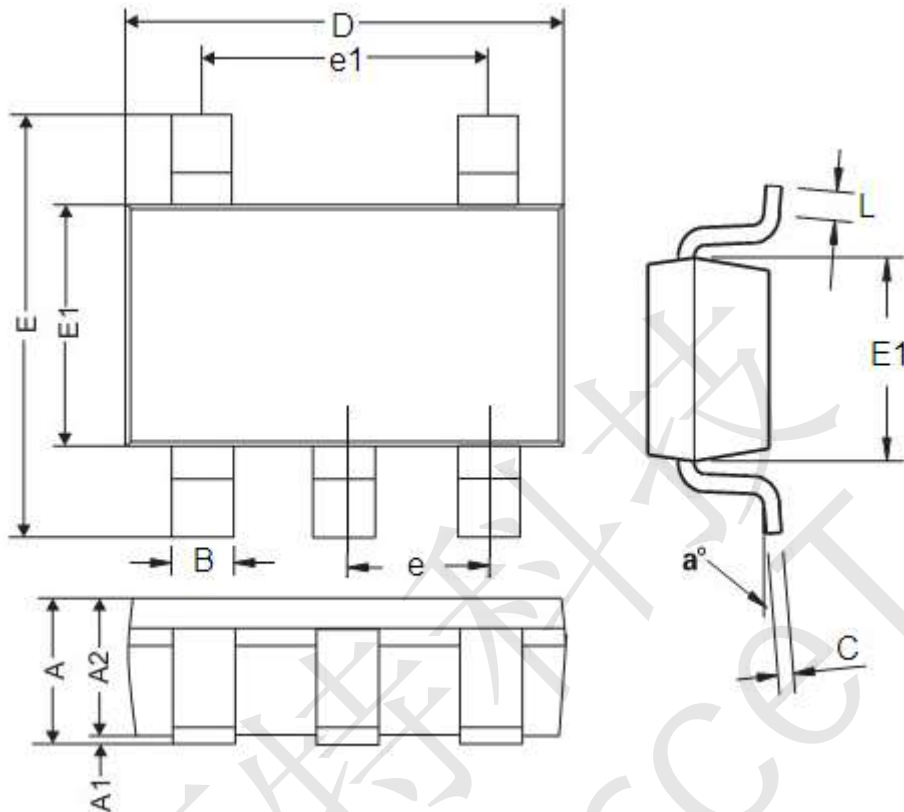
- SOT89-5



| DIM | Millimeters | | Inches | |
|-----|---------------------|------|---------------------|-------|
| | Min | Max | Min | Max |
| A | 4.4 | 4.6 | 0.173 | 0.181 |
| a | 0.5 | 0.62 | 0.02 | 0.024 |
| B | 1.63 | 1.83 | 0.064 | 0.072 |
| b | 0.44 | 0.54 | 0.017 | 0.021 |
| C | Type:1.5 | | Type:0.059 | |
| D | 2.4 | 2.6 | 0.094 | 0.102 |
| E | 1.4 | 1.6 | 0.054 | 0.063 |
| F | 0.35 | 0.43 | 0.013 | 0.017 |
| L | 3.95 | 4.25 | 0.155 | 0.167 |
| r | Type:8 ⁰ | | Type:8 ⁰ | |



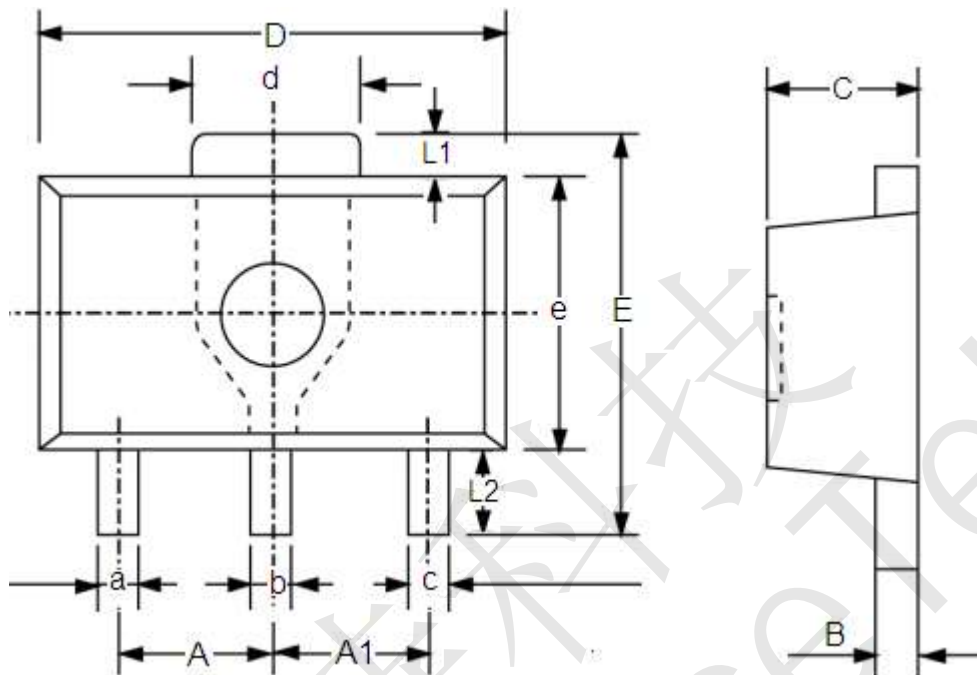
● SOT23-5



| DIM | Millimeters | | Inches | |
|-----------|-------------|------------|-----------|------------|
| | Min | Max | Min | Max |
| A | 0.9 | 1.45 | 0.0354 | 0.0570 |
| A1 | 0 | 0.15 | 0 | 0.0059 |
| A2 | 0.9 | 1.3 | 0.0354 | 0.0511 |
| B | 0.2 | 0.5 | 0.0078 | 0.0196 |
| C | 0.09 | 0.26 | 0.0035 | 0.0102 |
| D | 2.7 | 3.10 | 0.1062 | 0.1220 |
| E | 2.2 | 3.2 | 0.0866 | 0.1181 |
| E1 | 1.30 | 1.80 | 0.0511 | 0.0708 |
| e | 0.95REF | | 0.0374REF | |
| e1 | 1.90REF | | 0.0748REF | |
| L | 0.10 | 0.60 | 0.0039 | 0.0236 |
| a° | 0° | 30° | 0° | 30° |



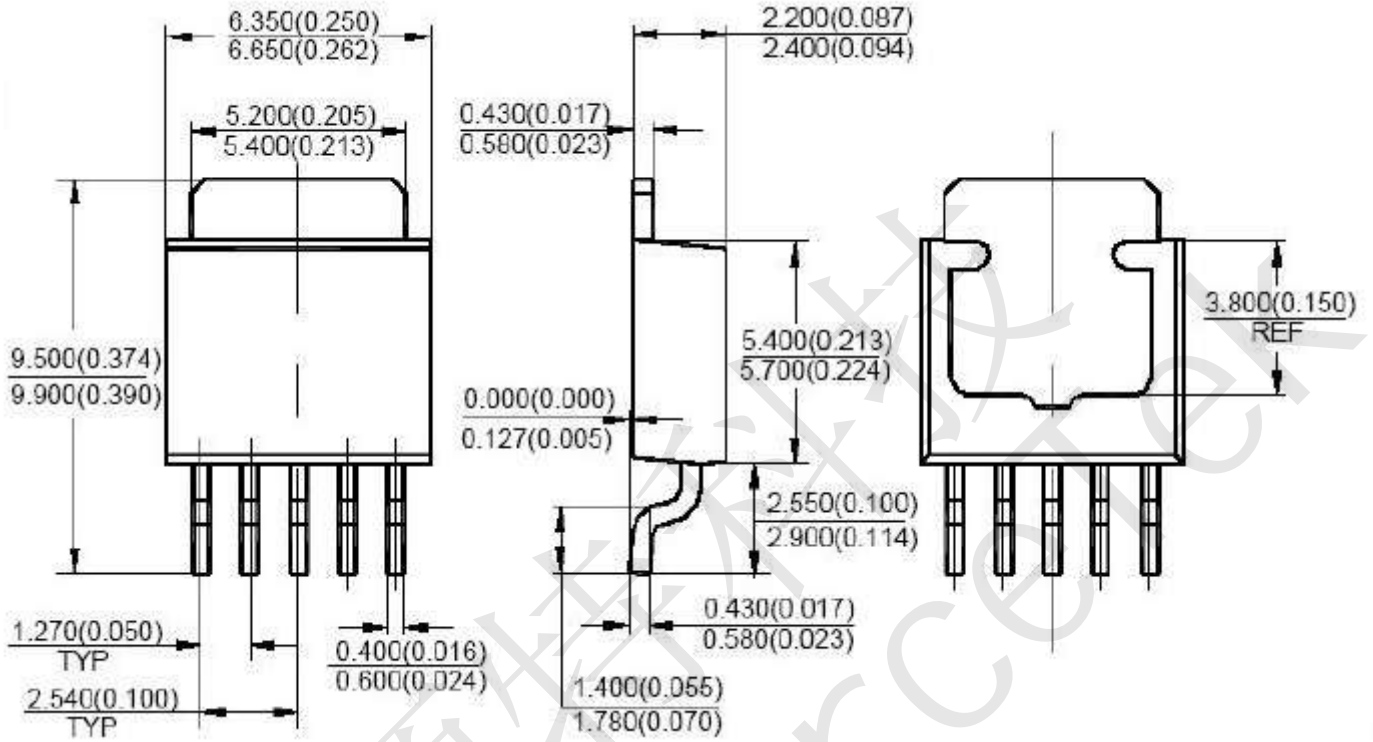
● SOT89-3



| DIM | Millimeters | | Inches | |
|-----|-------------|------|--------|--------|
| | Min | Max | Min | Max |
| A | 1.4 | 1.6 | 0.0551 | 0.0630 |
| A1 | 1.4 | 1.6 | 0.0551 | 0.0630 |
| a | 0.36 | 0.48 | 0.0142 | 0.0189 |
| b | 0.41 | 0.53 | 0.0161 | 0.0209 |
| c | 0.36 | 0.48 | 0.0142 | 0.0189 |
| d | 1.4 | 1.75 | 0.0551 | 0.0689 |
| B | 0.38 | 0.43 | 0.015 | 0.0169 |
| C | 1.4 | 1.6 | 0.0551 | 0.0630 |
| D | 4.4 | 4.6 | 0.1732 | 0.181 |
| E | - | 4.25 | - | 0.1673 |
| e | 2.4 | 2.6 | 0.0945 | 0.1023 |
| L1 | 0.4 | - | 0.0157 | - |
| L2 | 0.8 | - | 0.0315 | - |



● TO252-5





- The information described herein is subject to change without notice.
- ChipSourceTek is not responsible for any problems caused by circuits or diagrams described herein whose related industrial properties, patents, or other rights belong to third parties. The application circuit examples explain typical applications of the products, and do not guarantee the success of any specific mass-production design.
- Use of the information described herein for other purposes and/or reproduction or copying without the express permission of ChipSourceTek is strictly prohibited.
- The products described herein cannot be used as part of any device or equipment affecting the human body, such as exercise equipment, medical equipment, security systems, gas equipment, or any apparatus installed in airplanes and other vehicles, without prior written permission of ChipSourceTek.
- Although ChipSourceTek exerts the greatest possible effort to ensure high quality and reliability, the failure or malfunction of semiconductor products may occur. The user of these products should therefore give thorough consideration to safety design, including redundancy, fire-prevention measures, and malfunction prevention, to prevent any accidents, fires, or community damage that may ensue.