



## CST4169A OTP-type Speech IC

### 1. CST4169A General Descriptions

CST4169A series are 4-bits micro-controller which could play 4 channel melody or 4 channel ADPCM with PWM direct drive circuit. PWM resolution is 8/10/12 bits. They include a low cost, high performance CMOS micro-processor. The clock frequency of this up is typically 4.096/8.192 ( $\pm 3\%$ ) MHz. This chip operates over a wide voltage range of 1.5V~5.5V. It contains program ROM (PROM) and data ROM (DROM) inside. The program ROM is 8K/16K words and data ROM size is 496K/480K bytes. The maximum working SRAM is (128+2) nibbles. It is provided with total 16 software programmable I/O ports, 4 output only ports and a 13 levels low voltage detector (LVD).

### 2. CST4169A Features

- Operating voltage: 1.5V to 5.5V
- MCU Operation frequency: 4.096/8.192 MHz
- Memory Size
  - Program ROM size: 8K/16K words OTP type
  - Data ROM size: 496K/480K bytes OTP type
  - SRAM size: 128\*4 bits
  - User register: 2\*4 bits
- Wakeup function for power-down mode:
  - HALT mode wakeup source: Port A, Port B, Port D and Port E can wake-up from HALT mode to NORMAL mode and executing wake-up sub-routine program.
- 16 input/output pins: Port A, Port B, Port D and Port E can be defined as input or output port bit by bit.
- PA3 is provided with 38KHz modulator
- 4 output only ports: Port C.
- Support four kinds of system RESET source:
  - Low voltage reset. (LVR = 1.5V)
  - Power on reset.
  - External reset pin (PB3 and PC3). (active low)
- Watch dog timer overflow One internal interrupt sources:
  - PWM interrupt.
- WDT
  - Watch dog timer, can enabled/disabled by option.
  - WDT period is 0.128 second.
- Audio output:
  - Support PWM mode.
  - Support 8/10/12 bits.
- Support option set for pull down resistor 1M, 50K Ohm, low voltage reset...etc.
- Oscillator fuse option  $\pm 3\%$ , temperature & voltage compensation.
- Support security option (1 bit) for read inhibition.
- Support 13-levels LVD function.



## CST4169A OTP-type Speech IC

### 3. CST4169A Packaging and Pads Information

#### 3.1 Pads

PAD Name	Type	State After Reset	Description
<b>Reset, Power Input</b>			
VCC	P	High	Power input.
VSS	P	Low	Ground input.
<b>General I/O ports</b>			
PA3~PA0	I/O	zzzz	Port A is a programmable input /output port.
PB3~PB0	I/O	zzzz	Port B is a programmable input /output port. PB3 can be employed as reset pin according to the option.
PC3~PC0	O	0000	Port C is an output port only. PC3 can be employed as reset pin according to the option.
PD3~PD0	I/O	zzzz	Port D is a programmable input /output port.
PE3~PE0	I/O	zzzz	Port E is a programmable input /output port.
<b>Audio output pads</b>			
PWMP	O	Low	Audio output PWM(+).
PWMN	O	Low	Audio output PWM(-).

Table 1 Pad Description

#### 3.2 Package

CST4169A provides SOP8, SOP16, SSOP24

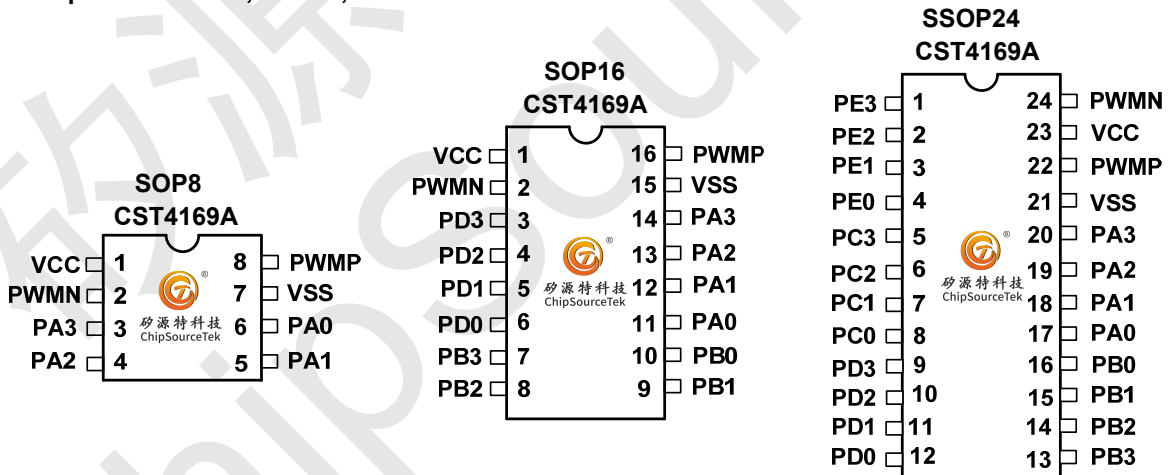
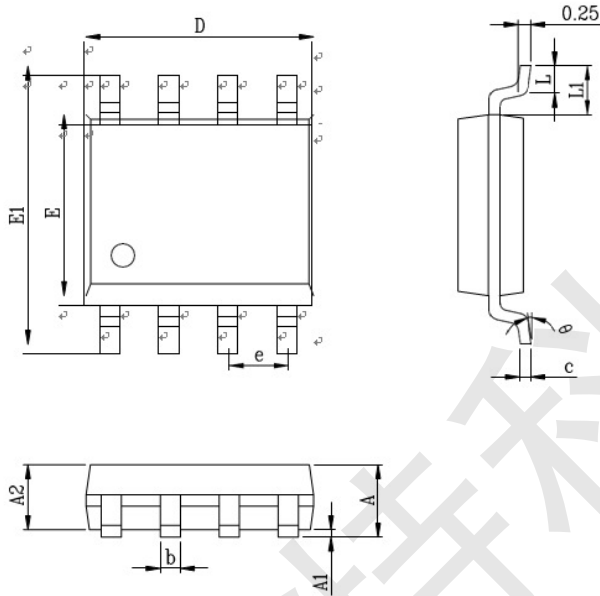


Figure1. Package



## CST4169A OTP-type Speech IC

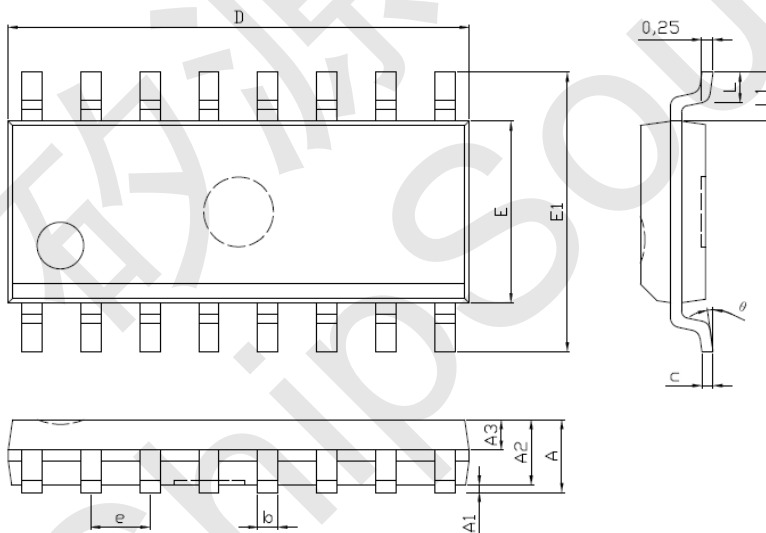
### 3.2.1 SOP8



Symbol	Dimensions In Millimeters	
	Min	Max
A	1.35	1.75
* A1	0.10	0.23
A2	1.30	1.50
* b	0.39	0.45
c	0.21	0.26
D	4.70	5.10
E	3.70	4.10
* E1	5.80	6.20
* e	1.24	1.30
* L	0.50	0.80
* L1	0.99	1.10
θ	0°	8°

注1: 标注“\*”尺寸为测量尺寸。

### 3.2.2 SOP16



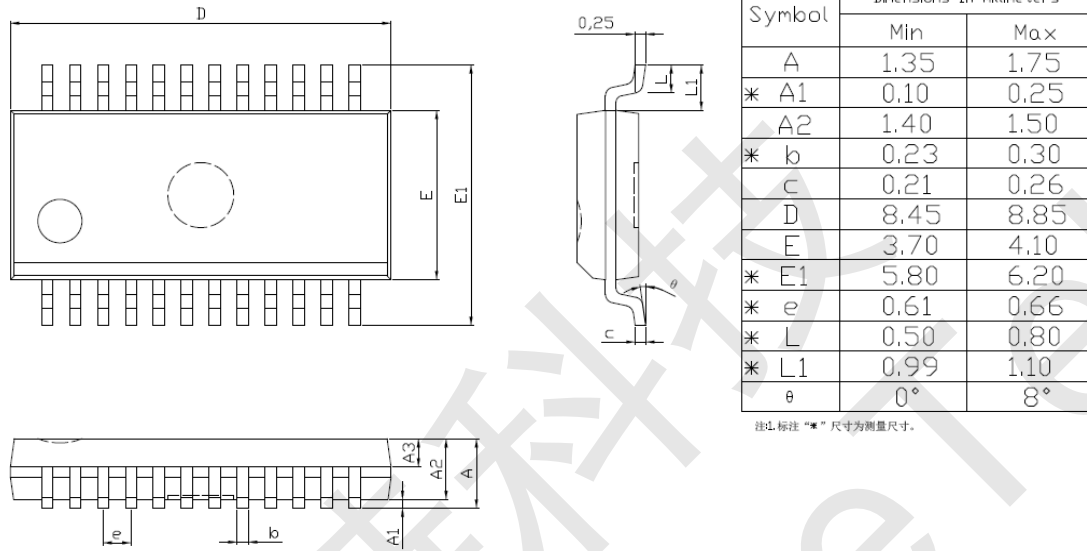
Symbol	Dimensions In Millimeters	
	Min	Max
A		1.75
* A1	0.10	0.25
A2	1.40	1.50
A3	0.61	0.71
* b	0.39	0.45
c	0.21	0.26
D	9.70	10.10
E	3.70	4.10
* E1	5.80	6.20
* e	1.24	1.30
* L	0.60	0.80
* L1	0.99	1.10
θ	0°	8°

注1: 标注“\*”尺寸为测量尺寸。



## CST4169A OTP-type Speech IC

### 3.2.3 SSOP24



### 3.3 Block Diagram

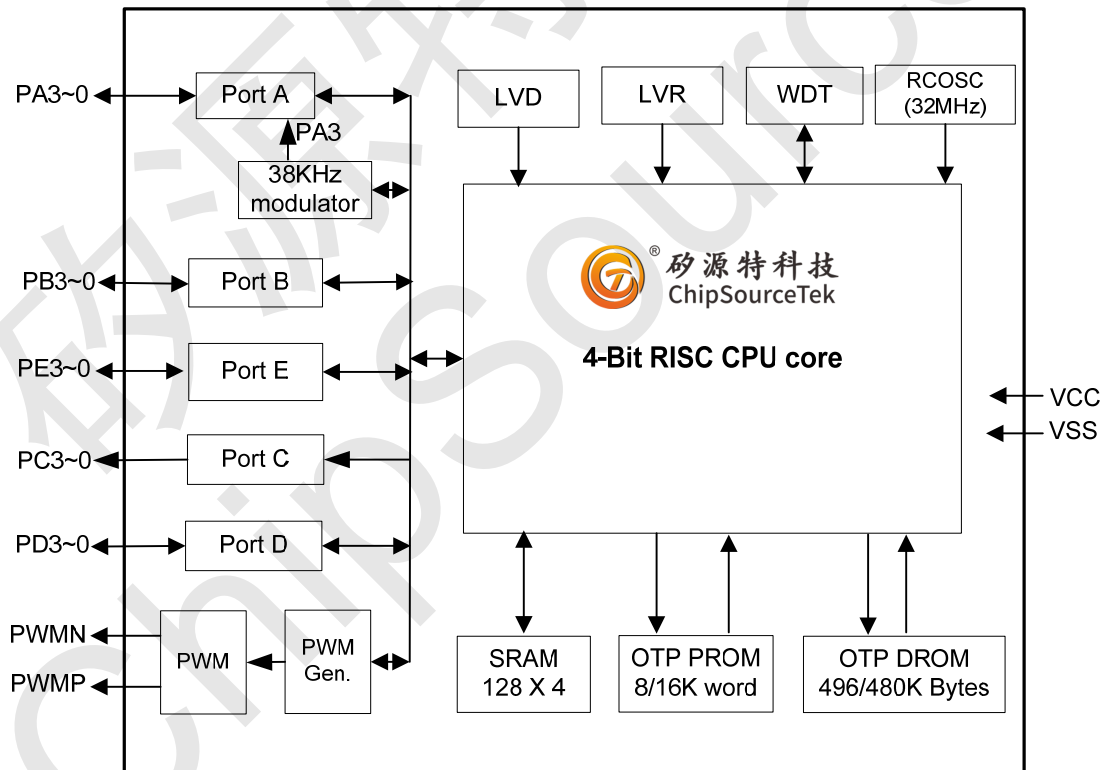


Figure 2. Block diagram



## CST4169A OTP-type Speech IC

### 4. CST4169A ELECTRICAL CHARACTERISTICS

#### 4.1 Absolute Maximum Ratings

Parameters	Symbol	Value	Unit
DC Supply Voltage	Vcc	-0.5 to 6.0	V
Input Voltage	Vin	-0.5 to Vcc+0.5	V
Operating Temperature Range	Ta	0 to +75	°C
Storage Temperature Range	Tstg	-25 to +85	°C

Table 2 Absolute Maximum Ratings

#### 4.2 AC Characteristics

- VCC=3.0V, Ta=25°C unless otherwise noted.

Parameters	Symbol	Minimum	Typical	Maximum
Operating Frequency( RC Oscillator)	Fsys1	3.973MHz	4.096MHz	4.21MHz
Operating Frequency( RC Oscillator)	Fsys2	7.946MHz	8.192MHz	8.437MHz
RC reset time-constant	Trrc	-	10 us	-
Data ROM data ready time	Tdrr	-	-	2/Fsys

Table 3 AC Characteristics

#### 4.3 DC Characteristics

- VCC=3.0V, Ta=25°C unless otherwise noted.

Parameters	Symbol	Minimum	Typical	Maximum	Condition
Power supply range	Vcc	1.5 V	-	5.5 V	
OTP Programming Power	Vpp	9.5 V	10 V	10.5 V	VCC = 4.8V
Supply current @VCC=5V	Iop1		1.3mA		System clock 4.096MHz
Supply current @VCC=5V	Iop2		2.0mA		System clock 8.192MHz
Stand-by Current	Istby		2.4uA		VCC=5.0V, MCU halt System clock off
Input high voltage	Vih1		0.6 VCC		Register SCHMIT=0
Input low voltage	Vil2		0.56 VCC		
Schmitt trigger Input high voltage	Vih2		0.64 VCC		Register SCHMIT=1
Schmitt trigger Input low voltage	Vil2		0.35 VCC		
Input leakage current	Iik		0.1 uA		
Output high voltage	Voh	0.95 VCC			no load
Output low voltage	Vol			0.05 V	no load
Output high current	Ioh0		24mA		Vout=2.0
Output low current	Iol0		28mA		Vout=1.0
PWM output load		-		8 ohm	Speaker impedance
Pull up resistor of PB3,PC3	Rrst	-	63K Ohm	-	Reset pin option enabled
Pull-down resistance 50K of PA,PB,PD,PE	Rpd1	-	53K Ohm	-	
Pull-down resistance 1M of PA,PB,PD,PE	Rpd2		1M Ohm		
Threshold voltage of low voltage reset circuit	Vlvr1		1.5V		MCU run 4.096MHz
Threshold voltage of low voltage reset circuit	Vlvr2		1.8V		MCU run 8.192MHz

Table 4 DC Characteristics



## CST4169A OTP-type Speech IC

### 5. CST4169A FUNCTIONAL DESCRIPTION

This chapter describes the function of MCU.

#### 5.1 Program ROM (PROM)

The PROM is an OTP (One Time Programmable) type memory. The PROM is 8K\*12-bits(0000H ~ 1FFFH) or 16K\*12-bits(0000H ~ 3FFFH) which stores execution program. The last 256 location of effective PROM is reserved area, the user shall not use this area in any case. Assembler shall check user program on this limit. Hardware does not need to check this restriction.

In order to reserved unused area of PROM. These regions maybe use in the future. There is one option "OTPREV" for this purpose. If all unused area of PROM wanted to fill with "0xFFFF", the option "OTPREV" on IDE tool must be enabled. Otherwise, they will fill with "0x000".

PROM=8K

PROM address	Function description
0x000 ~ 0x001	Reset
0x004 ~ 0x005	Wake-up
0x008 ~ 0x009	Interrupt
0x00A ~ 0x1EFF	User code
0x1F00 ~ 0x1FFF	Reserved area

Table 5 Memory Map of PROM 8K

PROM=16K

PROM address	Function description
0x0000 ~ 0x0001	Reset
0x0004 ~ 0x0005	Wake-up
0x0008 ~ 0x0009	Interrupt
0x0009 ~ 0x3EFF	User area
0x3F00 ~ 0x3FFF	Reserved area

Table 6 Memory Map of PROM

#### 5.2 Data ROM (DROM)

The DROM is an OTP (One Time Programmable) type memory. It stores the 8-bits wide data for ADPCM or melody data ...etc. There are two types DROM density 496K/480K bytes shown in below table by option. The last 64 location is a reserved area. The user shall not use this area in any case. Assembler shall check user data ROM on this limit. Hardware does not need to check this restriction. If 8K PROM is selected, the maximum DROM is 496K bytes. If 16K PROM is selected, the maximum DROM is 480K bytes.

PROM=8K, DROM=496K bytes

DROM address (DMA)	Function description
0x00000 ~ 0x000FF	User area
0x00100 ~ 0x001FF	User area
0x00200 ~ 0x002FF	User area
...	...
0x7BFB0 ~ 0x7BFBF	User area (Max. size of CST4169A)
0x7BFC0 ~ 0x7BFFF	System area, last 64 location(don't use it)

Table 7 Memory Map of DROM 248K bytes

PROM=16K, DROM=480K bytes

DROM address (DMA)	Function description
0x00000 ~ 0x000FF	User area



### CST4169A OTP-type Speech IC

0x00100 ~ 0x001FF	User area
0x00200 ~ 0x002FF	User area
...	...
0x77FB0 ~ 0x77FBF	User area (Max. size of CST4169A)
0x77FC0 ~ 0x77FFF	System area, last 64 location(don't use it)

Table 8 Memory Map of DROM 240K bytes

DROM is addressed by four registers DMA4, DMA3, DMA2, DMA1 and DMA0. After these registers are specified by software, the data need enough delay time, T<sub>dr</sub> in the table of "AC Characteristics". After this delay time, the data can be read from data register (DMDL & DMDH).

Ex:

```
LD    (DMA0), A
...
LD    (DMA4), A    ; Set DMA0~4
LD    A, (DMDL)   ; Read low nibble data from DROM, address as DMA4~0.
LD    A, (DMDH)   ; Read high nibble data from DROM, address as DMA4~0.
```

Symbol	Addr	R/W type	Reset	D3	D2	D1	D0	Description
DMA0	18H	R/W	xxxx	DMA0.3	DMA0.2	DMA0.1	DMA0.0	DMA0~3, four register built a 16-bits addressing space for read DROM 8-bits data. DMA0 is lowest nibble, DMA4 is highest nibble of DROM address.
DMA1	19H	R/W	xxxx	DMA1.3	DMA1.2	DMA1.1	DMA1.0	
DMA2	1AH	R/W	xxxx	DMA2.3	DMA2.2	DMA2.1	DMA2.0	
DMA3	1BH	R/W	xxxx	DMA3.3	DMA3.2	DMA3.1	DMA3.0	
DMDL	1CH	R/W	xxxx	DMDL.3	DMDL.2	DMDL.1	DMDL.0	Low nibble of DROM data read from this address.
DMDH	1DH	R/W	xxxx	DMDH.3	DMDH.2	DMDH.1	DMDH.0	High nibble of DROM data read from this address. Write this register means reset watch dog timer if this timer is enabled by option.
DMA4	1EH	R/W	xxxx	DMA4.3	DMA4.2	DMA4.1	DMA4.0	DMA4 is highest nibble of DROM address

Table 9 SFRs about DROM

## 5.3 SRAM and Special Function Register

### 5.3.1 SRAM

There are 128 nibbles SRAM in this chip. The SRAM and I/O memory map is divided into four pages by setting MAH register (2-bit wide). The initial value of MAH is unknown and must be defined by instructions "LDMAH" before you utilize SRAM. The extra 2 SRAM nibbles in the specifications and hardware manuals of relative mask ROM products are not SRAM in fact. They are USER1 and USER2 of SFRs.

Direct Addressing		SRAM MAP
MAH=XH	00H~1FH	SFR(special function register) register  USER SRAM 128x4
MAH=0H	20H~3FH	
MAH=1H	20H~3FH	
MAH=2H	20H~3FH	
MAH=3H	20H~3FH	

Table 10 Memory Map of SFRs

The first 32-nibble, 00H ~ 1FH, are defined as a common block. Some I/O and user register is arranged in this common block for easy data operations. The other regions, 20H~3FH, are employed as SRAM. The user must notice that the initial content of SRAM is unknown.



### CST4169A OTP-type Speech IC

#### 5.3.2 Special Function Registers

The special function register consists of common I/O and other special register.

A special function register supports LD/ADC/SBC/OR/AND/XOR/INC/DEC/RLC/RRR/CMP/ADR operation.

Bit set/clear can only be operated on the address range from 00H to 0FH, except indirect operation is used.

The following table describes all of the SFRs.

Symbol	Addr	R/W type	Reset	D3	D2	D1	D0	Description
STATUS	00H	R/W	00xx	reserved	PWFG	CF	ZF	Status Register PWFG: PWM interrupt flag. CF: Carry flag. ZF: Zero flag.
IOC_PCE	01H	R/W	0000	IOC_CE3	IOC_CE2	IOC_CE1	IOC_CE0	Port E0~E3 input/output direction control "1" = output, "0" = input of related PE bit.
IOC_PA	02H	R/W	0000	IOCA3	IOCA2	IOCA1	IOCA0	Port A0~A3 input/output direction control "1" = output, "0" = input of related PA bit.
DATA_PA	03H	R/W	xxxx	DPA3	DPA2	DPA1	DPA0	Read from Port A input port and write to output port.
DATA_PC	04H	R/W	0000	DPC3	DPC2	DPC1	DPC0	Port C is output port only. Write data to Port C output port.
IOC_PB	05H	R/W	0000	IOCB3	IOCB2	IOCB1	IOCB0	Port B0~B3 input/output direction control "1" = output, "0" = input of related PB bit.
DATA_PB	06H	R/W	xxxx	DPB3	DPB2	DPB1	DPB0	Read from Port B input port and write to output port.
USER1	07H	R/W	xxxx	USER1.3	USER1.2	USER1.1	USER1.0	General purpose user register.
AUD_DLL	08H	W	xxxx	AUD_DLL3	AUD_DLL2	AUD_DLL1	AUD_DLL0	AUD_DLL[3:2]: The bit1~0 of 10-bits PWM, combine with AUD_DL[3:0], AUD_DH[3:0] to built 10-bits PWM if option PWM10 is 1 and PWM12 is 0. AUD_DLL[3:0]: The bit3~0 of 12-bits PWM, combine with AUD_DL[3:0], AUD_DH[3:0] to built 12-bits PWM if option PWM12 is 1.
PWM_CTRL	09H	R/W	--x0	reserved	reserved	ENINT	ENPWM	ENPWM: "1" Enable PWM, "0" Disable PWM. ENINT: Enable global interrupt.
AUD_DL	0AH	W	xxxx	AUD_DL3	AUD_DL2	AUD_DL1	AUD_DL0	AUD_DL[3:0]: The low nibble of 8-bits PWM. The bit5~2 of 10-bits PWM. The bit7~4 of 12-bits PWM.
AUD_DH	0BH	W	xxxx	AUD_DH3	AUD_DH2	AUD_DH1	AUD_DH0	AUD_DH[3:0]: The high nibble of 8 bits PWM. The bit9~6 of 10 bits PWM. The bit11~8 of 12 bits PWM. Note: AUD_DH3 is sign bit, "0" means positive.
IOC_PD	0CH	R/W	0000	IOCD3	IOCD2	IOCD1	IOCD0	Port D0~D3 input/output direction control "1" = output, "0" = input of related PD bit.
DATA_PD	0DH	R/W	xxxx	DPD3	DPD2	DPD1	DPD0	Read from Port D input port and write to output port.
DATA_PE	0EH	R/W	xxxx	DPE3	DPE2	DPE1	DPE0	Read from Port E input port and write to output port.
USER2	0FH	R/W	xxxx	USER2.3	USER2.2	USER2.1	USER2.0	General purpose user register.
Reserved	10H	-	xxxx	-	-	-	-	Reserved
CNT1	11H	R/W	0000	x	SCHMIT	S2S	x	S2S: PWM input Data format 1: 2's format 0: sign SCHMIT: PA0~PA3 Schmitt trigger input SCHMIT=0 Schmitt trigger input disabled (default) SCHMIT=1 Schmitt trigger input enabled





### CST4169A OTP-type Speech IC

Reserved	12H	-	xxxx	-	-	-	-	Reserved
LVD_CTRL	13H	R/W	0000	x	x	LVD_FLAG (R)	LVDEN	LVD_FLAG: (Read only) The flag output of LVD '0'= indicate VCC lower than the LVD voltage which is selected by LVD register. '0'= indicate VCC higher than the LVD voltage which is selected by option LVDEN: '1'=Enable LVD function, '0'=Disable LVD function.
LVDS	14H	R/W	1111	LVDS3	LVDS2	LVDS1	LVDS0	Select LVD detection voltage level. 0111=X, 0110=X, 0101=X, 0100=3.8V, 0011=3.7V, 0010=3.6V, 0001=3.3V, 0000=3.0V, 1111=2.8V, 1110=2.7V, 1101=2.4V, 1100=2.2V, 1011=2.0V, 1010=1.8V, 1001=1.7V, 1000=1.6V
Reserved	15H~17H	-	xxxx	-	-	-	-	Reserved
DMA0	18H	R/W	xxxx	DMA0.3	DMA0.2	DMA0.1	DMA0.0	DMA0~3, four register built a 16-bits addressing space for read DROM 8-bits data, DMA0 is lowest nibble, DMA4 is highest nibble of DROM address.
DMA1	19H	R/W	xxxx	DMA1.3	DMA1.2	DMA1.1	DMA1.0	
DMA2	1AH	R/W	xxxx	DMA2.3	DMA2.2	DMA2.1	DMA2.0	
DMA3	1BH	R/W	xxxx	DMA3.3	DMA3.2	DMA3.1	DMA3.0	
DMDL	1CH	R/W	xxxx	DMDL.3	DMDL.2	DMDL.1	DMDL.0	Low nibble of DROM data read from this address.
DMDH	1DH	R/W	xxxx	DMDH.3	DMDH.2	DMDH.1	DMDH.0	High nibble of DROM data read from this address. Writing this register means reset watch dog timer if this timer is enabled by option.
DMA4	1EH	R/W	xxxx	DMA4.3	DMA4.2	DMA4.1	DMA4.0	DMA4 is highest nibble of DROM address
Reserved	1FH	-	xxxx	-	-	-	-	Reserved

Table 11 All of the Special Function Registers

#### 5.4 Interrupt Vector Address

Vector	Address
RESET	00H
WAKEUP	04H
INT	08H

Table 12 Interrupt Vectors

#### 5.5 Interrupt Controller

There is only one interrupt entry point in this chip. Normally interrupt period is 32768Hz. Program will jump to address 0x008 when an interrupt occurs.

Symbol	Addr	R/W type	Reset	D3	D2	D1	D0	Description
STATUS	00H	R/W	00xx	reserved	PWFG	CF	ZF	Status Register <b>PWFG</b> : PWM interrupt flag. CF: Carry flag. ZF: Zero flag.
PWM_CTRL	09H	R/W	--x0	reserved	reserved	ENINT	ENPWM	<b>ENPWM</b> : "1" Enable PWM, "0" Disable PWM. <b>ENINT</b> : Enable global interrupt.

Table 13 SFRs about Interrupt

If the global interrupt enable bit (INTEN) is high and interrupt request (PWFG=1) occurred, then interrupt will be accepted on next clock. On that instant, current (next) program counter, PCDH, MAH and C/Z will be



## CST4169A OTP-type Speech IC

stored in special hardware registers, and program counter will be loaded with entry address of that interrupt. All these are done in one clock. Interrupt enable bit will be cleared too. As long as program enters interrupt service, interrupt enable bit is cleared. It's no need to clear interrupt enable flag in interrupt routine. But hardware will not clear interrupt request flag (PWFG). Software is required to clear it.

When interrupt service routine is done, an RETI shall be executed. This instruction will restore stored program counter, PCDH, MAH and C/Z, will set interrupt enable bit=1 also. (Note that RETI is different from RETS.) Interrupt request can be accepted only when enable bit be set. Note that only one level of INT routine can be used.

### 5.6 Clock Operation

There are two operation modes in this chip. The state diagram of three MCU operation modes is shown below:

**1. NORMAL Mode:** In normal mode, system clock oscillator is running, and MCU clock source is come from main oscillator. In NORMAL mode, MCU will go to halt mode after HALT instruction executed.

**2. HALT Mode:** In HALT mode, the MCU clock stops, users can't change the operation mode when in halt mode. It will go back to NORMAL mode (Program counter=0x004) when I/O wakeup or reset occurred. Please refer to the section of "Halt Mode & Wake up" for the detailed HALT mode description.

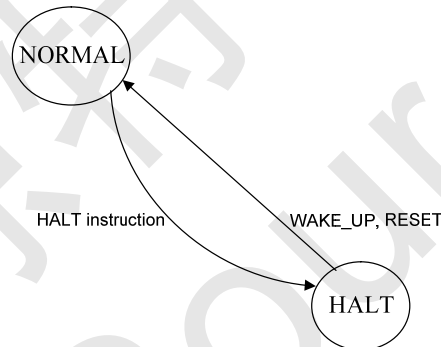


Figure 3 Clock Operation Mode

### 5.7 Halt Mode & Wake up

The MCU is changed into HALT mode (program counter and system clock stop) when HALT instruction executed. It provides a power saving mode for those applications requiring a very low stand-by current. The PA[3:0] are supporting the wake-up function when rising edge occurred.

The program counter will be 0x004 when HALT instruction executed immediately, then program counter will go to next address after 122us(8MHz) or 245us(4MHz) stable time when wake up condition occurred. Reset signal will release HALT state and execute reset procedure because reset is first priority when in HALT mode, so program counter will from 0x004 to 0x000, program counter goes to next address after 122us(8MHz) or 245us(4MHz) stable time. Furthermore, the SRAM will keep their previous data without changing in this mode.

### 5.8 Watch Dog Timer Reset (WDT)

The Watch Dog Timer (WDT) is used to reset whole chip when detect unexpected execution sequence caused by accident condition, avoiding dead lock of MCU program. WDT will be reset when wake up from



### CST4169A OTP-type Speech IC

halt, after reset or software clears it. The watch dog timer is a simple counter. It has a fixed length of 0.128 second.

Software must run a "clear watch dog timer" (write to DMDH) instruction before this timer time out when WDT enabled. It will generate a reset signal to reset whole system when WDT over flow. Assembler will check user program about the "reset watch dog" instructions. If more than one "reset watch dog" is found in program, assembler will generate a warning (program code will still be generated). "HALT" instruction will reset watch dog timer. The reset watch dog timer sequence is strongly recommended as:

```
WATCHDOG:
        LD        (1DH), A
```

#### 5.9 Low Voltage Detect (LVD)

The low voltage detection (LVD) function is used to detect whole chip power supply VCC. CST4169A support 16-level LVDS[3:0] to selected detect voltage level, the detected voltage range is from 1.6V to 3.8v.

There have one control register LVDEN used to enable/disable the low voltage detect function. The flag signal LVD\_FLAG is used to check the power supply VCC upper or under than low voltage detect level, when VCC upper than LVD level, the flag LVD\_FLAG value is low; otherwise, the flag LVD\_FLAG value is high when VCC under than VCC.

Symbol	Addr	R/W type	Reset	D3	D2	D1	D0	Description
LVD_CTRL	13H	R/W	0000	x	x	LVD_FLAG (R)	LVDEN	LVD_FLAG: (Read only) The flag output of LVD '0'= indicate VCC lower than the LVD voltage which is selected by LVD register. '0'= indicate VCC higher than the LVD voltage which is selected by option LVDEN: '1'=Enable LVD function, '0'=Disable LVD function.
LVDS	14H	R/W	1111	LVDS3	LVDS2	LVDS1	LVDS0	Select LVD detection voltage level. 1111=X, 1110=X, 1101=X, 1100=3.8V, 1011=3.7V, 1010=3.6V, 1001=3.3V, 1000=3.0V, 0111=2.8V, 0110=2.7V, 0101=2.4V, 0100=2.2V, 0011=2.0V, 0010=1.8V, 0001=1.7V, 0000=1.6V

Table 34 LVD control registers

#### 5.10 8/10/12 Bits PWM

There are three optional PWM output resolutions. One is 8-bits output, the sec. is 10-bits output, and the other is 12-bits output. The highest of input data is signed bit: '0' represents positive, '1' represents negative.

Symbol	Addr	R/W type	Reset	D3	D2	D1	D0	Description
STATUS	00H	R/W	00xx	reserved	PWFG	CF	ZF	Status Register <b>PWFG</b> : PWM interrupt flag. CF: Carry flag. ZF: Zero flag.
AUD_DLL	08H	W	xxxx	AUD_DLL3	AUD_DLL2	AUD_DLL1	AUD_DLL0	<b>AUD_DLL[3:2]</b> : The bit1~0 of 10-bits PWM, combine with AUD_DL[3:0], AUD_DH[3:0] to built 10-bits PWM if option PWM10 is 1 and PWM12 is 0. <b>AUD_DLL[3:0]</b> :



### CST4169A OTP-type Speech IC

								The bit3~0 of 12-bits PWM, combine with AUD_DL[3:0], AUD_DH[3:0] to built 12-bits PWM if option PWM12 is 1.
PWM_CTRL	09H	R/W	--x0	reserved	reserved	ENINT	ENPWM	<b>ENPWM:</b> "1" Enable PWM, "0" Disable PWM. <b>ENINT:</b> Enable global interrupt.
AUD_DL	0AH	W	xxxx	AUD_DL3	AUD_DL2	AUD_DL1	AUD_DL0	<b>AUD_DL[3:0]:</b> The low nibble of 8-bits PWM. The bit5~2 of 10-bits PWM. The bit7~4 of 12-bits PWM.
AUD_DH	0BH	W	xxxx	AUD_DH3	AUD_DH2	AUD_DH1	AUD_DH0	<b>AUD_DH[3:0]:</b> The high nibble of 8 bits PWM. The bit9~6 of 10 bits PWM. The bit11~8 of 12 bits PWM. Note: AUD_DH3 is sign bit, "0" means positive.

Table 15 SFRs about the operation of PWM

#### 5.10.1 8-Bits PWM

This PWM is 8-bits output resolution. An interrupt request happened when a PWM cycle completed.

The MSB of AUD\_DH is signed bit, '0' for positive, '1' for negative. PWM output frequency (sample rate) is fixed at 32KHz. PWM data registers are AUD\_DL, AUD\_DH. The AUL\_DL is low nibble (D3 ~ D0). AUD\_DH is high nibble (D7 ~ D4). D7 is the signed bit and D6 ~ D0 is the length (clock number) of output active pulse. Software should write AUD\_DL and AUD\_DH before enable PWM.

When an interrupt request happened, PWM interrupt flag bit PWFG of STATUS register will be "1". The PWM will load previously-written-data into actual conversion port on end of a PWM code output. So program can write data into PWM data store safely at beginning of an interrupt service routine. (A PWM interrupt means PWM data loaded, next data is expected). This timing shall be controlled carefully such that data writing in the beginning of interrupt service routine is safe. If data is not changed during a conversion, previous data will be used.

This PWM output can drive 8 ohm speaker. PWM can be enabled or disabled by setting/clearing ENPWM of PWM\_CTRL. When disabled, the PWMP, PWMN pins are all '0'. "HALT" instruction will disable PWM (clear ENPWM of PWM\_CTRL) and the PWMP and PWMN pins will be tri-state.

#### 5.10.2 10-Bits PWM

The frequency of PWM clock is fixed at 32 KHz if 10-bits PWM mode is selected by option. The 10-bits PWM data (AUD\_DH[3:0], AUD\_DL[3:0], AUD\_DLL[3:2]) are consist of AUD\_DH, AUD\_DL, AUD\_DLL three registers shown above. The data rage is 0 ~511. Software should write these registers before PWM is enabled. The other features of 10-bits PWM is the same as 8-bits PWM.

#### 5.10.3 12-Bits PWM

The frequency of PWM clock is fixed at 32 KHz if 12-bits PWM mode is selected by option "PWM12S". The 12-bits PWM data (AUD\_DH[3:0], AUD\_DL[3:0], AUD\_DLL[3:0]) are consist of AUD\_DH, AUD\_DL, AUD\_DLL three registers shown above. The data rage is 0 ~ 2047. Software should write these registers before PWM is enabled. The other features of 12-bits PWM is the same as 8-bits PWM.

**Note: To avoid sound "Bo", please reference application note on web site.**



## CST4169A OTP-type Speech IC

### 5.11 Reset Function

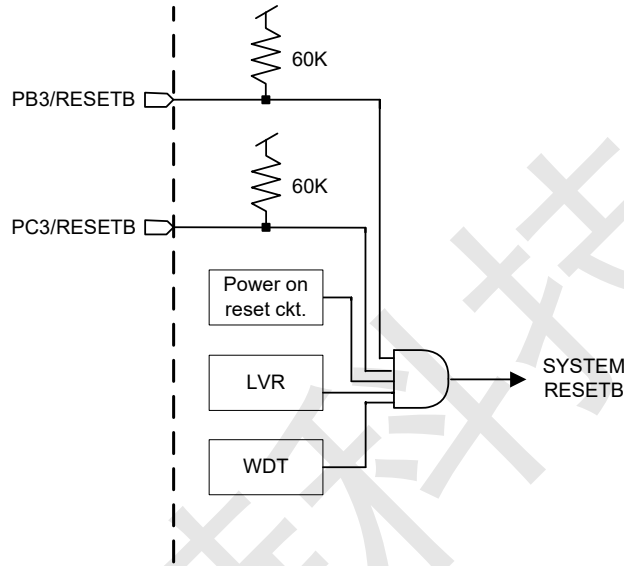


Figure 4 Reset structure

The system reset is come from four signals which are **Power on reset**, **Low voltage reset(LVR)**, **External RESETB pin** and **WDT overflow reset**.

PB3 and PC3 RESET pin can be provided to reset this chip by RESET pin option. This pin has built-in 60K Ohm pull up resistor. For normal operation of this chip, a good reset is needed. The operation frequency of MCU will go back to normal mode when reset occurred in HALT mode.

### 5.12 System Clock Oscillator

This chip MCU is typically operated on 4.096MHz or 8.192MHz by option, It is generated from internal RC oscillator 32MHz.

### 5.13 I/O Ports

There is one I/O port PA3~PA0, whose input/output direction are defined by IOC\_PA. The wake-up functions of PA3~PA0 are enabled or disabled by option. All I/O ports provides rising or falling edge wake up function. This double edge wake up function can be enabled by "BIWK" option. Their 1M/50K Ohm pull down resistors are optional.

#### 5.13.1 Port PA (input/output)

The Port A is 4-bits bidirectional I/O port. Their directions can be defined by IOC\_PA bit by bit. The following table describe the SFRs associated with Port A.

Symbol	Addr	R/W type	Reset	D3	D2	D1	D0	Description
IOC_PA	02H	R/W	0000	IOCA3	IOCA2	IOCA1	IOCA0	Port A0~A3 input/output direction control "1" = output, "0" = input of related PA bit.
DATA_PA	03H	R/W	xxxx	DPA3	DPA2	DPA1	DPA0	Read from Port A input port and write to output port.

Table 16 SFRs of Ports PA



### CST4169A OTP-type Speech IC

In output mode, the data can be written out to external pin, and reading this output port will read the data internal latch. Pull-down resistor will be disabled when output mode is selected.

In input mode, Port A data can be read from external pin, and they are attached with 1M/50K Ohm pull-down resistor or not according to the options.

In addition, each pin of Port A also can be accompanied with wake-up function according to the options. In HALT mode, if some bits of Port A are accompanied with wake-up function, any rising edge occurred on that pin will wake up system and turn on oscillator, and the program counter of MCU will jump to the address 0x004. This device will start to execute the wake-up sub-routing.

**“F38K” option.** If F38K option is enabled, I/O port PA3 will output 38KHz clock signal when PA3 is configured as output port and DATA\_PA bit-3 = 1. PA3 output low when PA3 is configured as output port and DATA\_PA bit-3 = 0.

**Notice: The PA3 output pad will be forced to low state automatically by hardware control when in halt mode for avoid external IR LED destroyed. Besides, the F38K option disabled, PA3 is a normal I/O port.**

#### Schmitt trigger input buffers

The Port A, Port B, Port D and Port E pins have Schmitt trigger input buffers. All 16 pins can be configured as Schmitt trigger or normal input selected by register SCHMIT bit..

Symbol	Addr	R/W type	Reset	D3	D2	D1	D0	Description
CNTI	11H	R/W	0000	x	SCHMIT	S2S	x	S2S: PWM input Data format 1: 2's format 0: sign SCHMIT: PA0~PA3 Schmitt trigger input SCHMIT=0 Schmitt trigger input disabled (default) SCHMIT=1 Schmitt trigger input enabled

Table 17 SFRs of CNTI register

#### 5.13.2 Port PB (input/output)

The Port B is 4-bit bidirectional I/O port. Their directions can be defined by IOC\_PB bit by bit.

The following table describe the SFRs associated with Port B.

Symbol	Addr	R/W type	Reset	D3	D2	D1	D0	Description
IOC_PB	05H	R/W	0000	IOCB3	IOCB2	IOCB1	IOCB0	Port B0~B3 input/output direction control “1” = output, “0” = input of related PB bit.
DATA_PB	06H	R/W	xxxx	DPB3	DPB2	DPB1	DPB0	Read from Port B input port and write to output port.

Table 18 SFRs of Ports PB

In output mode, the data can be written out to external pin, and reading this output port will read the data internal latch. Pull-down resistor will be disabled when output mode is selected.

In input mode, Port B data can be read from external pin, and they are attached with 1M/50K Ohm pull-down resistor or not according to the options.

In addition, each pin of Port B also can be accompanied with wake-up function according to the options.

In HALT mode, if some bits of Port B are accompanied with wake-up function, any rising edge occurred on that pin will wake-up system and turn on oscillator, and the program counter of MCU will jump to the address \$004H. This device will start to execute the wake-up sub-routing.



## CST4169A OTP-type Speech IC

### 5.13.3 Port PC (output)

The Port C is 4-bits output only port.

The following table describe the SFRs associated with Port C.

Symbol	Addr	R/W type	Reset	D3	D2	D1	D0	Description
DATA_PC	04H	R/W	0000	DPC3	DPC2	DPC1	DPC0	Port C is output port only. Write to Port C output port.

Table 19 SFR of Port PC

### 5.13.4 Port PD (input/output)

Whether all 4-bits of the Port D are input or output ports depends on IOC\_PD control register. They are accompanied with 1M/50K Ohm pull-down resistor or not according to the options if they are in the input mode.

The following table describe the SFRs associated with Port D.

Symbol	Addr	R/W type	Reset	D3	D2	D1	D0	Description
IOC_PD	0CH	R/W	0000	IOCD3	IOCD2	IOCD1	IOCD0	Port D0~D3 input/output direction control "1" = output, "0" = input of related PD bit.
DATA_PD	0DH	R/W	xxxx	DPD3	DPD2	DPD1	DPD0	Read from Port D input port and write to output port.

Table 20 SFRs of Port PD

### 5.13.5 Port PE (input/output)

Whether all 4-bits of the Port E are input or output ports depends on IOC\_PE control register. They are accompanied with 1M/50K Ohm pull-down resistor or not according to the options if they are in the input mode.

The following table describe the SFRs associated with Port E.

Symbol	Addr	R/W type	Reset	D3	D2	D1	D0	Description
IOC_PE	01H	R/W	0000	IOCE3	IOCE2	IOCE1	IOCE0	Port E0~E3 input/output direction control "1" = output, "0" = input of related PE bit.
DATA_PE	0EH	R/W	xxxx	DPE3	DPE2	DPE1	DPE0	Read from Port E input port and write to output port.

Table 21 SFRs of Port PE



## CST4169A OTP-type Speech IC

### 6. CST4169A The Application Circuit

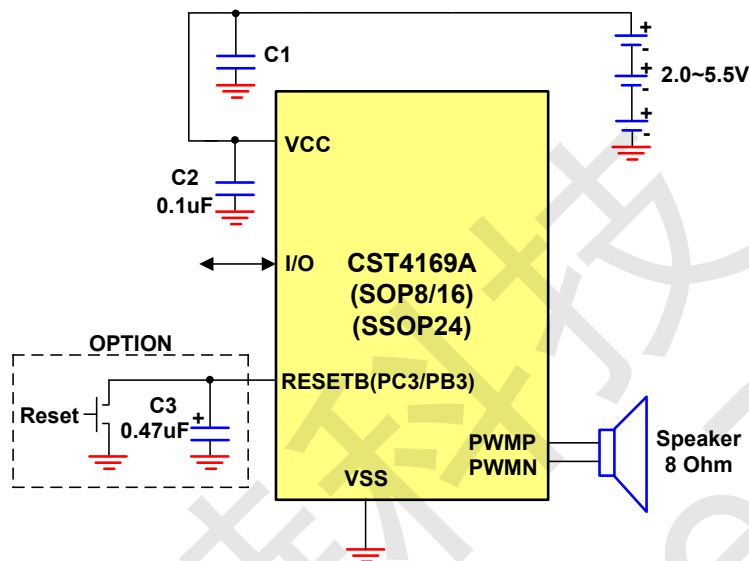


Figure 5. PWM Applications circuit

#### Notice:

1. Regarding recording or remote car applications, please reference application note on web site.
2. C1 : 47 uF ~ 100 uF(depends on applications), C2 : 0.1 uF

### 7. CST4169A Option Registers table

Option name	Function Description
WAKEBA	Wake-up enable for PA3~PA0 respectively
WAKEBB	Wake-up enable for PB3~PB0 respectively
WAKEBD	Wake-up enable for PD3~PD0 respectively
WAKEBE	Wake up enable for PE3~PE0 respectively
PD50KPA	50K Ohm pull down resistor for PA3~PA0 respectively
PD50KPB	50K Ohm pull down resistor for PB3~PB0 respectively
PD50KPD	50K Ohm pull down resistor for PD3~PD0 respectively
PD50KPE	50K Ohm pull down resistor for PE3~PE0 respectively
PD1MPA	1M Ohm pull down resistor for PA3~PA0 respectively
PD1MPB	1M Ohm pull down resistor for PB3~PB0 respectively
PD1MPD	1M Ohm pull down resistor for PD3~PD0 respectively
PD1MPE	1M Ohm pull down resistor for PE3~PE0 respectively
RSTBPB3	PB3 or External RESET pin selection
RSTBPC3	PC3 or External RESET pin selection
WDGENB	Watch dog timer
HALTENB	HALT mode control
PWM12S	PWM 12 bit select





## CST4169A OTP-type Speech IC

PWM10S	PWM 10/8 bit select
OTPLOCK	Security control
F38K	PA3 38KHz output
BIWK	Bi-directional wake up
PROM8K/16K	PROM density selection
HZ8MEN	MCU run 4MHz/8MHz selection

Table 22 Option table

### 8. CST4169A The Revision History

Version	Description	Page	Date
1.0	Established		2024-04-15

Table 23 Revision History